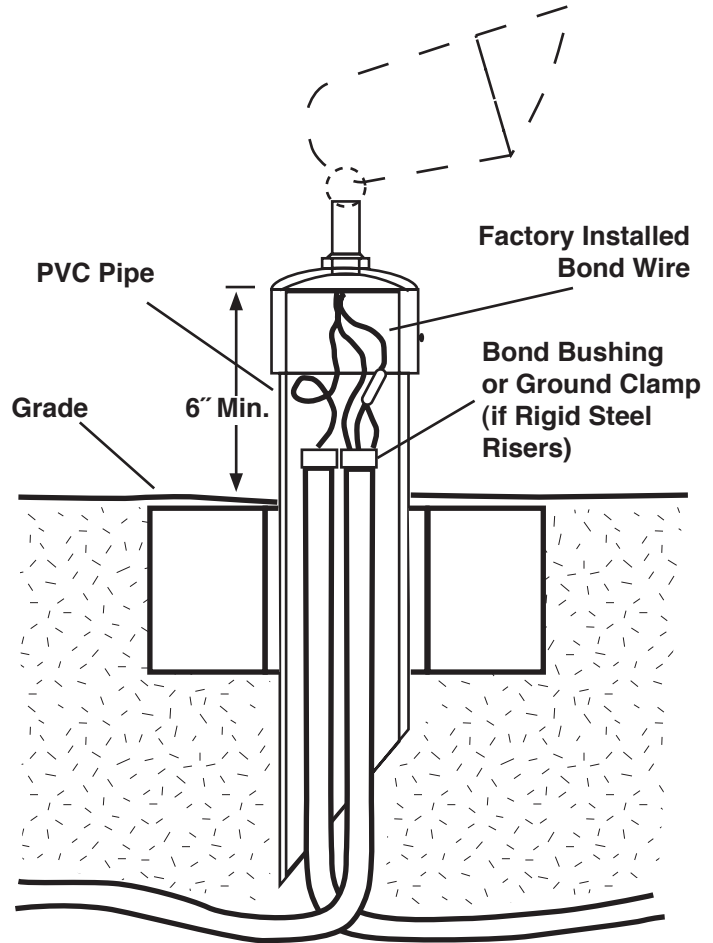
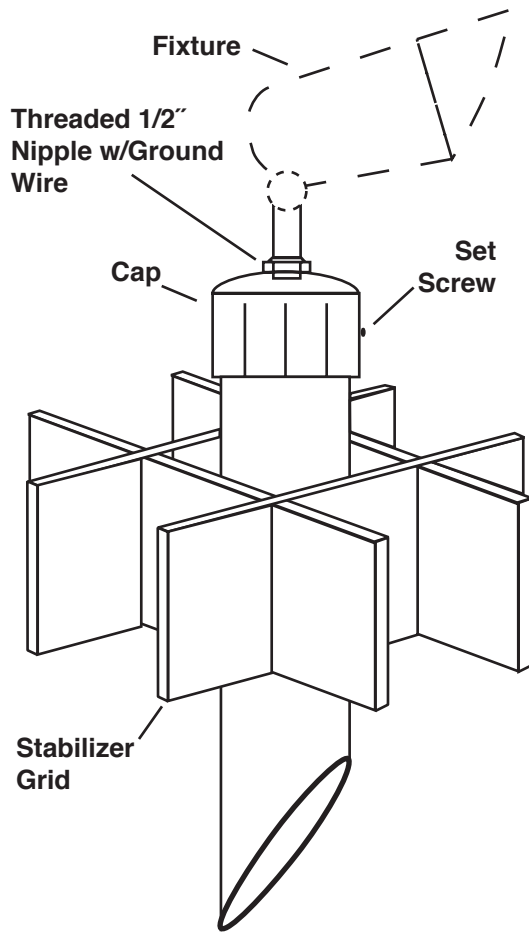


TECHLIGHT LMS MOUNTING STAKE W/STABILIZER



READ AND UNDERSTAND THESE INSTRUCTIONS BEFORE INSTALLING FIXTURE.

This fixture is intended for installation in accordance with the National Electrical Code and local code specifications. To prevent electrical shock, turn off at fuse box before proceeding.

INSTALLATION INSTRUCTIONS:

1. Excavate for the conduit runs and the LMS stake.
2. Install conduit.
3. Slide the stabilizer grid onto the PVC pipe as shown in the illustration and secure with the two short screws supplied.
4. Place the stake over the conduit as shown in the illustration. Fixture must be mounted at least 6" above ground level.
5. Install the fixture onto the cap. The fixture must be ETL or UL listed.
6. Pull the supply wires through the conduit.
7. Connect the supply wires to the fixture wires with wire nuts. Connect the white wire to the white wire, black wire to the black wire, and tie all of the ground wires together. (You may use the bond bushing or a ground clamp for ground, if risers are rigid steel).
8. Install the fixture and cap onto the top of the stake and tighten the set screw.
9. You are now ready to turn on the power.