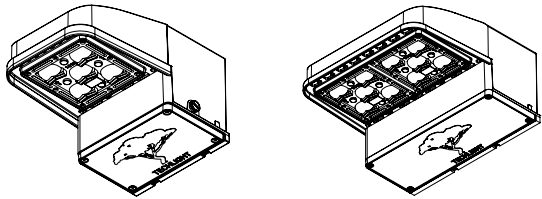


# Cutlass LED Wall Pack

Models: CTLW 1, CTLW 2



## INSTALLATION INSTRUCTIONS

**IMPORTANT: Read before installing fixture.**

### WARNING:

- Always install fixtures according to National Electrical Code (NEC) and local codes. Failure to do so will void the warranty and could cause damage to the fixture or may result in personal injury.
- To reduce the risk of personal injury or property damage from fire, electric shock, falling parts, cuts/abrasions, and other hazards read all warnings and instructions included with and on the fixture and all fixture labels.
- Commercial installation, service and maintenance of luminaires should be performed by a qualified licensed electrician. For the installation: if you are unsure about the installation or maintenance of the luminaires, consult a qualified licensed electrician and check your local electrical code.
- Turn off electrical power at fuse or circuit breaker before wiring fixture to the power supply.
- Turn off the power when you perform any maintenance.
- All connections should be capped with UL approved wire connectors. Risk of Burn. Disconnect power and allow fixture to cool before handling.
- Verify that supply voltage is correct by comparing it with the luminaire label information.

### NOTICE:

- LEDs are high-quality electrical components. Avoid opening lighting fixture and do not touch LED module.

#### WARNING - RISK OF ELECTRIC SHOCK

- Disconnect/turn off power before installation or servicing.
- Make sure the supply voltage is the same as the rated luminaire voltage
- Make all electrical and grounded connections in accordance with the National Electrical Code (NEC) and any applicable local code requirements.
- All wiring connections should be capped with UL approved recognized wire connectors.

#### WARNING - RISK OF BURN

- Allow fixture to cool before handling. Do not touch enclosure or light source.
- Do not exceed maximum wattage marked on luminaire label.
- Follow all manufacturer's warnings, recommendations and restrictions for: driver type, burning position, mounting locations/methods, replacement and recycling.

#### CAUTION - RISK OF INJURY

- Wear gloves and safety glasses at all times when removing luminaire from carton, installing, servicing or performing maintenance.
- Avoid direct eye exposure to the light source while it is on.

#### CAUTION - RISK OF FIRE

- Keep combustible and other materials that can burn, away from lamp/lens.
- Do not operate in close proximity to persons, combustible materials or substances affected by heat or drying.

# Cutlass LED Wall Pack

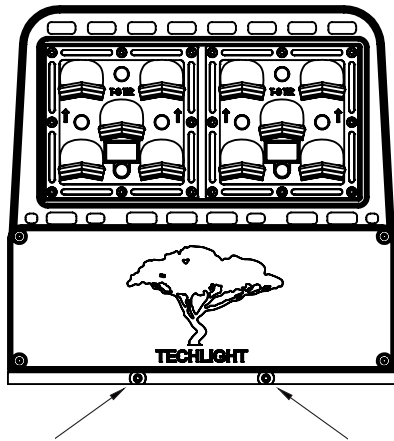
Models: CTLW 1, CTLW 2



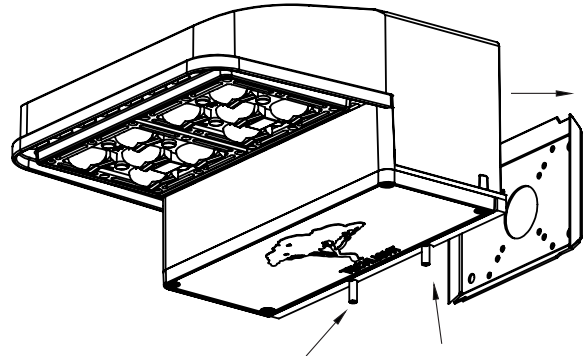
## INSTALLATION:

### TURN OFF POWER FROM MAIN CIRCUIT BREAKER

1. Loosen the two retaining plate set screws located on the bottom of the fixture.

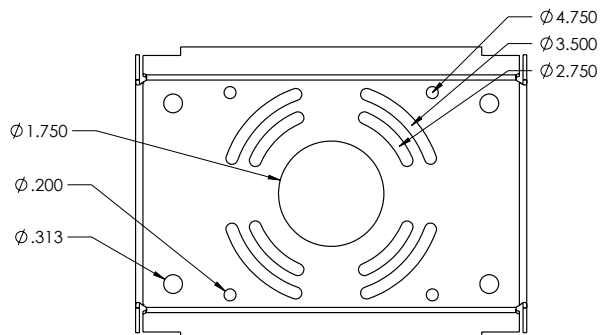


2. After loosening the set screws, remove the mounting plate and separate from the fixture.



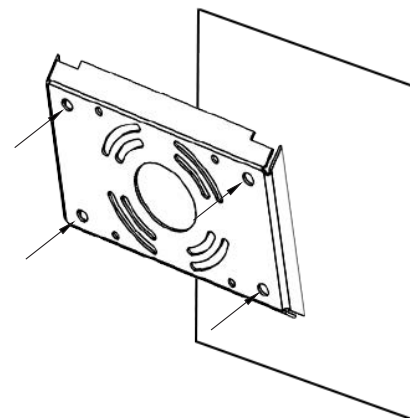
### J-Box Mounting

3. Position the mounting plate over the junction box. Using the universal mounting slots, secure the mounting plate to the j-box with two or more fasteners (supplied by others).



### Wall Mounting

4. Position the mounting plate to the wall. Using the 5/16" mounting holes, secure mounting plate to the wall with two or more anchor fasteners (supplied by others).



NOTE: Techlight recommends securing to both the J-Box and wall for additional support. Use anchors or screw hardware appropriate for building wall substrate (supplied by others).

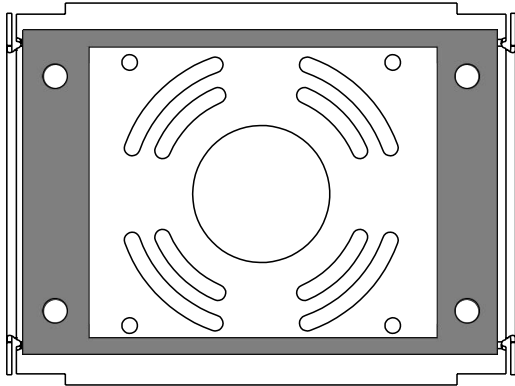
# Cutlass LED Wall Pack

Models: CTLW 1, CTLW 2

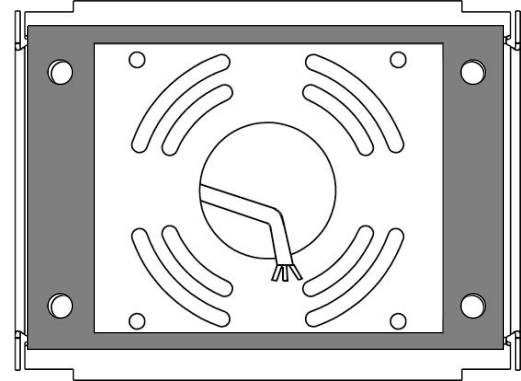


## INSTALLATION:

5. To ensure a watertight seal, make sure gasket is securely placed between the mounting plate and the J-Box

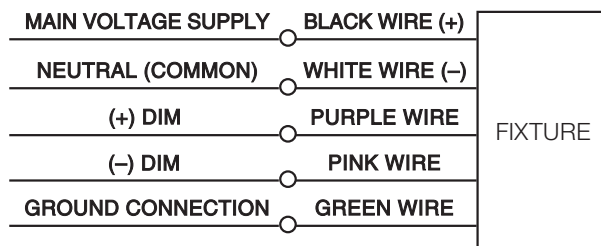


6. Pull power through access hole and make power connections to fixture.

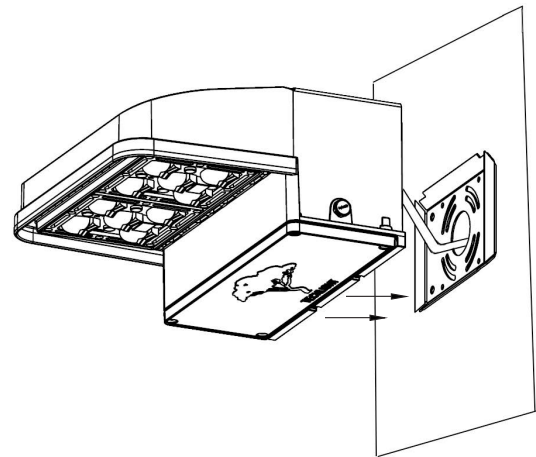


7. Make supply and ground connections according to wiring diagram using wire nuts (supplied by others). Tuck wire nut connections into junction box.

### WIRING DIAGRAM



8. Set fixture onto mounting plate hooking top. Make sure leads are secured inside junction box.



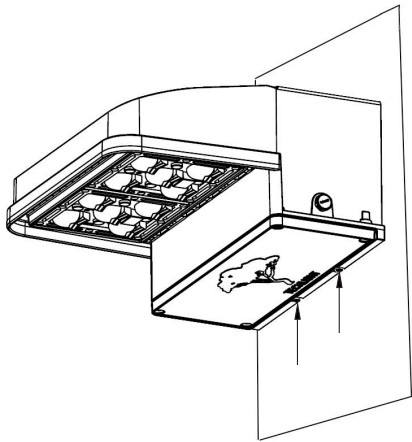
# Cutlass LED Wall Pack

Models: CTLW 1, CTLW 2

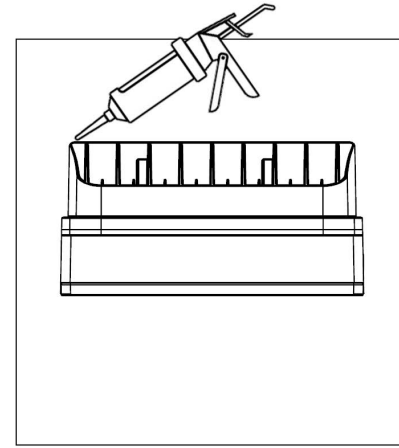


## INSTALLATION:

9. Secure fixture to backplate by re-tightening the two set screws back into the bottom of the fixture.



10. Apply caulk/rope caulk around the fixture top & sides once fully installed to ensure a watertight seal.



## DIMENSIONS:

