



Catalog Number	
Project	Type

Features & Specifications

Construction

The housing and door frame are constructed of die cast aluminum. The flat tempered glass lens is sealed in place and a one-piece door gasket is provided for weather tight protection. ETL listed for wet locations.

Optical System

Made with a state of the art high performance reflectors that use high gloss components to achieve precise photometric distributions. The fixture is a full cut-off light fixture and is Dark-Sky Friendly in a level horizontal position only.

Electrical System

Available in 1000W standard metal halide and pulse-start metal halide. Comes standard with a 4KV pulse rated mogul base socket. Each 60HZ CWA multi-tap, 480V, or 5-tap ballast is pre-wired and installed for convenience. 50HZ ballast available upon request.

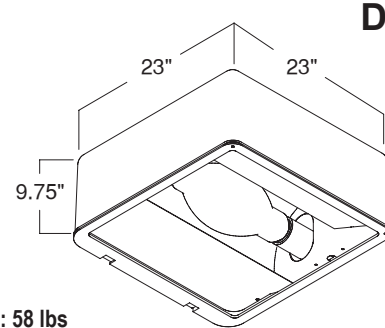
Mounting

Standard mounting options include single, twin 70° and 180°, quad 70° and 90° Davit and 7° Up Tilt Straight Arms. Additional mounting options may be available for custom applications.

Finish

A Super Durable Polyester powder coat finish is electrostatically applied in our state of the art paint facility. Standard colors available: Black, Bronze, US Green, White. Custom colors available upon request.

DCLB SERIES Die Cast Sports Shoebox



DIMENSIONS

Est Shipping Weight: 58 lbs
EPA: 1.64 at 0° Tilt



Please contact your Techlight Sales Representative for more information.
All dimensions subject to change without notice.

Ordering Nomenclature

Ex: (1000W Metal Halide, Multi-Tap, Pulse-Start, Black = DCLB3GP1-PS-BK)

DCLB3					
--------------	--	--	--	--	--

SERIES	REFLECTOR	BALLAST/LAMP	VOLTAGE	PULSE-START	FINISH
DCLB3	G - Type IV Forward Throw	P - 1000W MH	1 - Multi-Tap 2 - 480V 3 - 5-Tap ¹ <small>1-Available in 400W and 1000W MH Only</small>	PS - Pulse-Start	BK - Black BZ - Bronze GR - US Green WH - White SP - Special