



Catalog Number	
Project	Type

FEATURES & SPECIFICATIONS

APPLICATION — This fixture is designed as an energy saving alternative to HID area lighting systems. It is suitable for parking lots, roadways, security or general illumination.

FEATURES — Energy efficient. Optimized for T5 lamp performance. Miro 4 reflector standard to achieve maximum light output. Instant on/off allows for use of sensors and other controls. Superior color rendering enhances visual perception. Long lamp life reduces maintenance costs. Exceeds Dark Sky full cutoff requirements.

CONSTRUCTION — Housing is constructed of aircraft grade extruded aluminum. Extruded and hinged door frame holds protective lens using a one piece continuous gasket for a water tight seal. The fixture features captive screws to hold the lens and door frame. Socket bar and reflector assembly is independently hinged for hands free access to the ballast cavity.

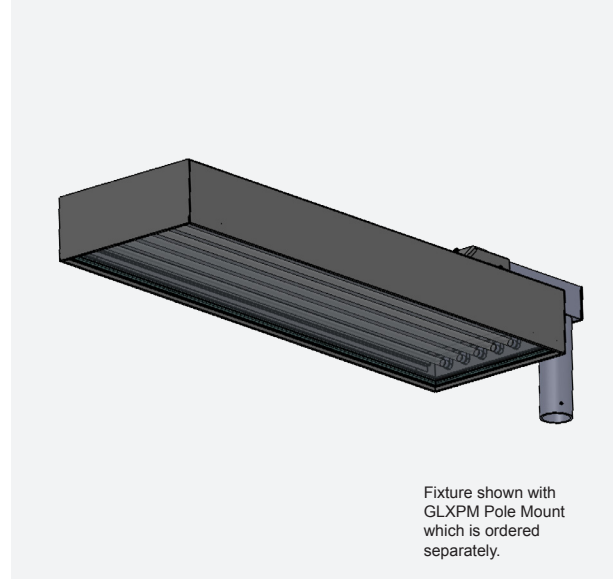
FINISH — A Super Durable Polyester powder coat finish is electrostatically applied in our state of the art paint facility. 3000 hr minimum salt spray. Standard colors available: Black, Bronze, US Green, White. Custom colors available upon request.

ELECTRICAL SYSTEM — Available in 2, 3, 4, 6 or 8 light electronic T5 configurations. ETL listed. Suitable for wet locations. Ballasts are solid-state electronic T5 programmed start. 6 and 8 lamp versions can be set up on two circuits for 2-4 lamp on/off switching. Controls compatible with 0-10V dimming systems or optional photocontrols and motion sensors. System is compatible with in-line fusing mounted within a pole (provided by others).

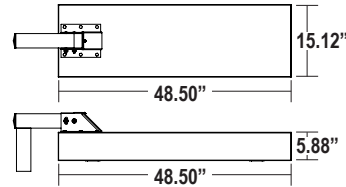
MOUNTING — Standard mounting option is a heavy duty pole top fitter designed to mount on a 2-3/8" OD tenon. Additional mounting options may be available for custom applications.



Galaxy Fluorescent Area Light GLXS SERIES



Fixture shown with GLXPM Pole Mount which is ordered separately.



Dimensions shown are for the 6 and 8 Lamp Units Only. Mounting options must be ordered separately.

Series	Housing Height	Length & Width
GLXS	5.88"	48.50" x 15.12"

ORDERING INFORMATION

Choose the bold face options for the appropriate luminaire configuration for your application and enter on the line above each fixture attribute. Accessories may be factory installed, depending on the particular accessory chosen, but still be ordered as a separate line item.

Example: **GLXS654ID**

GLXS						
Series	Number of Lamps ¹	Wattage	Lens	Mounting	Voltage	
GLXS	2 3 4 6 8	54 54W T5HO, 46"	I Clear Tempered Glass	Blank End Mount C Side Mount	D Multi-Volt ² 1 120V 2 277V 3 347V 4 480V	

Accessories (Order as separate line items)

GLXPM	Pole Mount for 2-3/8" OD Tenon
P1000PC	Button Photocell
PC6	120-277V Twist Lock Photocell
PC2	480V Twist Lock Photocell
PCR	Twist-Lock Photocell Receptacle

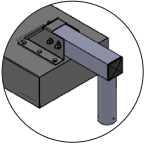
NOTES

- 2, 3 and 4 lamp units are provided in the small body housing (see page 2). 6 and 8 lamp units are provided in the large body housing.
- Multi-Volt is 120/277V

GLXS Galaxy Fluorescent Area Light

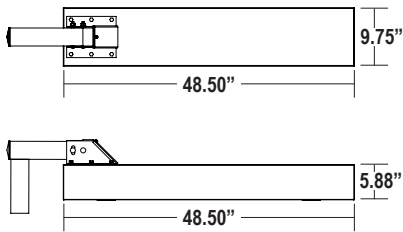
POLE MOUNTING ACCESSORIES

GLXPM
Pole Mount for 2-3/8" OD Tenon



ADDITIONAL FIXTURE DIMENSIONS

Dimensions for 2, 3 and 4 lamp unit



Dimensions for 6 and 8 lamp unit

