

L2TR INSTALLATION INSTRUCTIONS



WARNING: ALWAYS INSTALL FIXTURES ACCORDING TO NATIONAL ELECTRICAL CODE (NEC) AND LOCAL CODES. FAILURE TO DO SO WILL VOID THE WARRANTY AND COULD CAUSE DAMAGE TO THE FIXTURE OR MAY RESULT IN PERSONAL INJURY.

IMPORTANT: TURN ELECTRICITY OFF AT THE CIRCUIT BREAKER BEFORE INSTALLING OR PERFORMING MAINTENANCE ON FIXTURE. This information deals with structures supplied by Techlight along with certain safety issues. It is NOT a comprehensive description of how to install these structures. Installation contractors must be relied upon for equipment and practices that meet the conditions of each job location. Techlight cannot be responsible for any damage that may occur during or after installation, or for any structure that has been modified by the purchaser or that is used in some way other than our application recommendations.

CAUTION: MAKE CERTAIN POWER SUPPLY IS DISCONNECTED DURING INSTALLATION!

INSTALLATION

1. Remove driver housing cover by unscrewing 6 screws (3 per side) and set aside for reinstallation.
2. Pull power conductors through flexible conduit and connect to the appropriate driver leads according to the wiring diagram provided. (FIGURE 1)
Cap off any dimming wires not being used.
3. Install 1/2" flexible conduit to driver housing. 1/2" knockouts are provide on each end of driver housing to allow thru wiring for branch circuit connection.
4. Re-attach driver housing cover to the fixture using the 6 screws previously removed.
5. This fixture is intended to be suspended in open air by cables, chains, or pendant. (FIGURE 2)
6. If hanging by Gripple System, optional Gripple cables and hardware can be ordered separately. Insert hook connector into the 5/16" diameter holes on the upper sides of the fixture(4 places). Fixture should be leveled in both planes for best performance. (FIGURE 3)
7. Connect suspension system to appropriate ceiling support structure. Take care to properly secure suspension system to support structure to prevent damage.

FIGURE 1 L2TR TYPICAL DRIVER WIRING CONNECTION

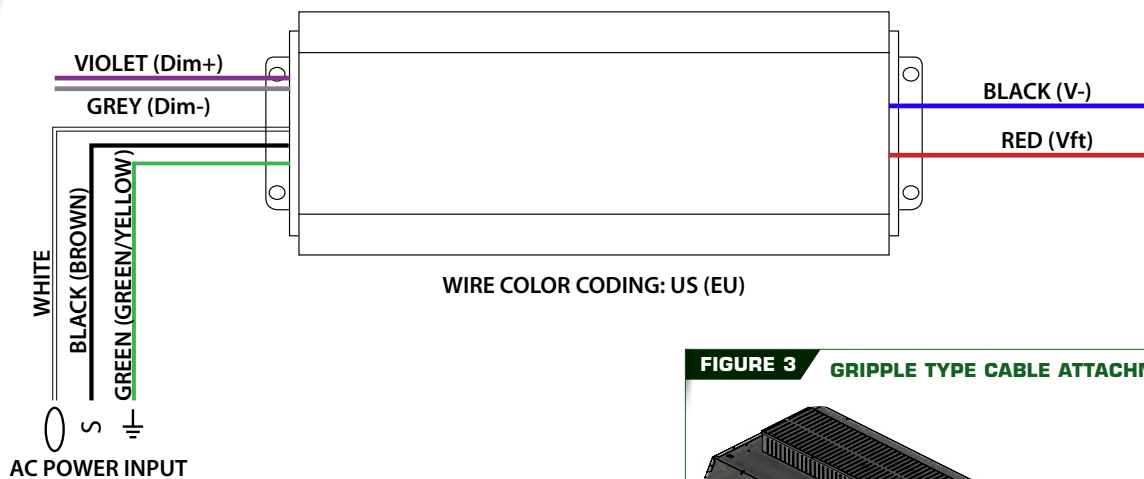
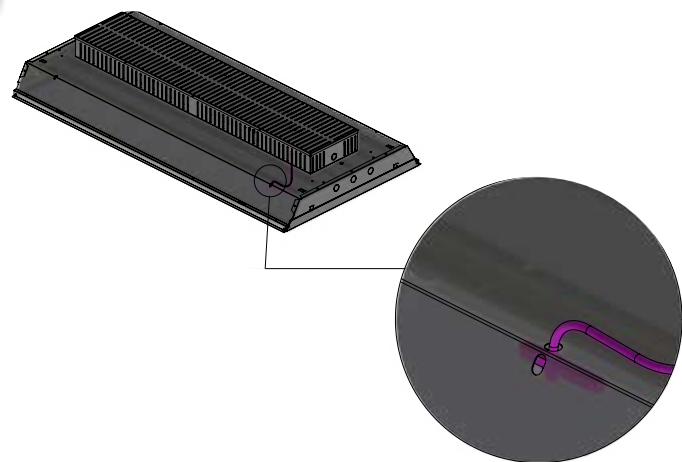


FIGURE 2 L2TR SUSPENDED BY CABLE SYSTEM



FIGURE 3 GRIPPLE TYPE CABLE ATTACHMENT



NOTES - Fixture must be installed by a licensed electrician. These instructions do not cover all details or variations in equipment, nor do they provide for every uncertainty related to installation, operation, maintenance, or mounting contingency. Should specific problems occur that are not covered sufficiently for the purchaser's purpose, contact Techlight for additional product or application information. Improper installation and/or utilization may void manufacturer's warranty. Techlight assumes no responsibility for claims arising out of improper or careless installation or handling of this product.