



Catalog Number	
Project	Type

## Features & Specifications

### Application

This fixture is designed for suspension mounting for direct/indirect applications where aesthetics and performance are both needed. Virtually glare free and shadow free illumination.

### Features

Designed to mount on exact 4 foot, 8 foot, and 12 foot centers. Joiners will accept stems, single cable, and power cords as supplied by Horizon. Louvers available in white or semi-spec aluminum. Louvers give a better than 45 degree cutoff to the lamp. Two die cast aluminum architectural ends available (Spade, Bull Nose). Optional lamp sleeves are available that allow for the adjustment of the up/down light produced by the fixture (order one per lamp).

### Construction

Heavy gauge roll formed steel housing with perforated pattern. Units are shipped with die cast aluminum joiners installed for suspension and structural continuity.

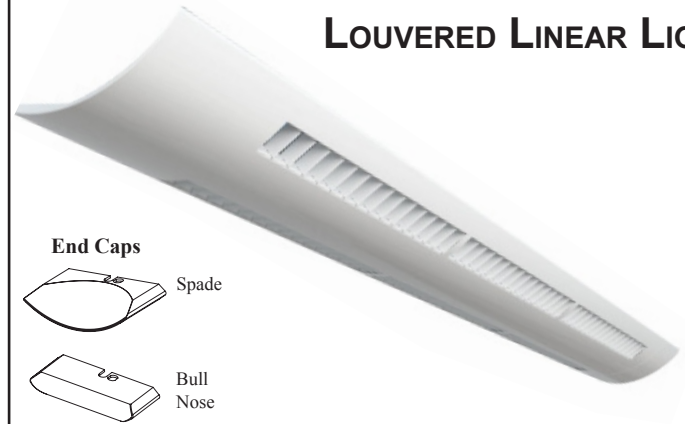
### Electrical System

ETL listed. Suitable for damp locations. Damp location emergency pack must be specified separately. Ballasts are solid-state electronic. Ballasts and lamp holders are replaceable without removing from ceiling. Discrete voltage must be specified for emergency pack options when wired with flex.

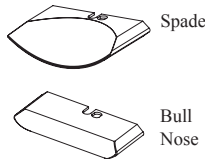
### Finish

All reflective surfaces are finished with a high reflectance, lighting fixture white polyester powder.

## LLL SERIES LOUVERED LINEAR LIGHT

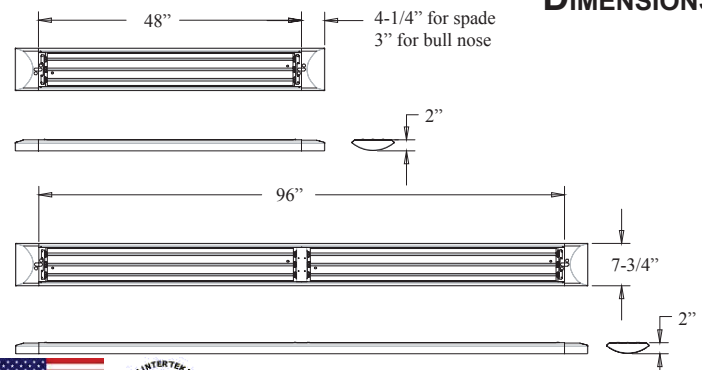


### End Caps



\*End Caps must be ordered separately. See Page 2 for ordering information

### DIMENSIONS



Please contact your Horizon Sales Representative for more information.  
All dimensions subject to change without notice.

### Ordering Nomenclature

Ex: (Louvered Linear, 2 Lamps, F32T8, White Louvers, White Fixture, Multi-Volt = LLL232WWD)

\*End Caps must be ordered separately. See Page 2 for ordering information

--	--	--	--	--	--	--	--

SERIES LLL	NUMBER OF LAMPS PER CROSS SECTION	WATTAGE/TYPE	LOUVER COLOR	FIXTURE COLOR	VOLTAGE	BALLAST FACTOR	OPTIONS
For tandem double-length unit, add suffix T Ex: LLLT	1	28T5 - 28W T5, 46"	BLANK - Aluminum	BLANK - White T - Titanium B - Black	D - Multi-Volt 1 - 120V 2 - 277V 3 - 347V 4 - 480V	BLANK - Normal H - High L - Low	10RS - ≤10% THD, Rapid Start
	2	54 - 54W T5HO, 46"					P - Program Start
	3						20 - ≤20% THD
	(Tandem fixture bodies will have two cross sections per fixture doubling the length and number of lamps per fixture)				*Multi-Volt is 120/277V		EB5 - 500 Lumen Emergency Ballast EB7 - 700 Lumen Emergency Ballast EB14 - 1400 Lumen Emergency Ballast EB30 - 3000 Lumen Emergency Ballast LDT5 - T5 Lamp Sleeve (one) LDT8 - T8 Lamp Sleeve (one) FBF - Fast-Blow Fuse SBF - Slow-Blow Fuse AC63 - 6', 3/8" dia., Armored Flex Cable SJ6 - 6', 3/8" dia., 16/3 SJ Cord SJ10 - 10', 3/8" dia., 16/3 SJ Cord SJ15 - 15', 3/8" dia., 16/3 SJ Cord PWO - Palletized without Cartons CD - Continuous Dimming (T8) SD - Step Dimming (T8) WOC - 120/347 Volt Sensor WOC1 - 480 Volt Sensor

### ADDITIONAL OPTIONS

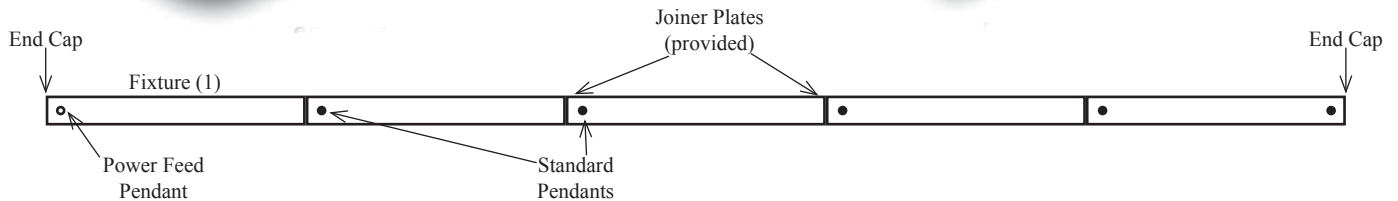
- LDT5 - T5 Lamp Sleeve
- LDT8 - T8 Lamp Sleeve
- WH34- Wiring Harness 3-Wire 4-Foot
- WH44- Wiring Harness 4-Wire 4-Foot
- WH54- Wiring Harness 5-Wire 4-Foot
- WH38- Wiring Harness 3-Wire 8-Foot

- WH48- Wiring Harness 4-Wire 8-Foot
- WH58- Wiring Harness 5-Wire 8-Foot

\*See Second Page for End Cap and Pendant Information

Energy Saving Tip!  
Our Occupancy Sensor option instantly turns lights on and off

- C1 - 6' Cord w/120V Nema Plug 16/3 15A
- C2 - 6' Cord w/277V Nema Plug 16/3 15A
- C3 - 10' Cord w/277V Nema Plug 16/3 20A
- C4 - 6' Cord w/480V Nema Plug 16/3 20A



### End Caps and Joiner Plates

The Horizon Louvered Linear fixture was designed to be mounted as either a stand-alone fixture, or mounted end-to-end for continuous linear rows. The mounting configuration will determine the number of end caps and joiner plates needed to complete an installation.

End Caps should be ordered 2 per fixture for stand-alone fixtures or 2 per row for continuous linear rows (# of fixtures x 2, or # of rows x 2). Joiner Plates should be ordered as 1 per the number of fixtures in each row minus 1 (# of fixtures per row minus one)

Part Number	Description
SEC	Spade Nose End Cap (one)
BNEC	Bull Nose End Cap (one)

### Pendants

Power feed pendants should be ordered 1 per row for continuous linear rows (# of rows x 1). Non-power feed pendants should be ordered 1 per fixture for continuous linear rows (# of fixtures x 1).

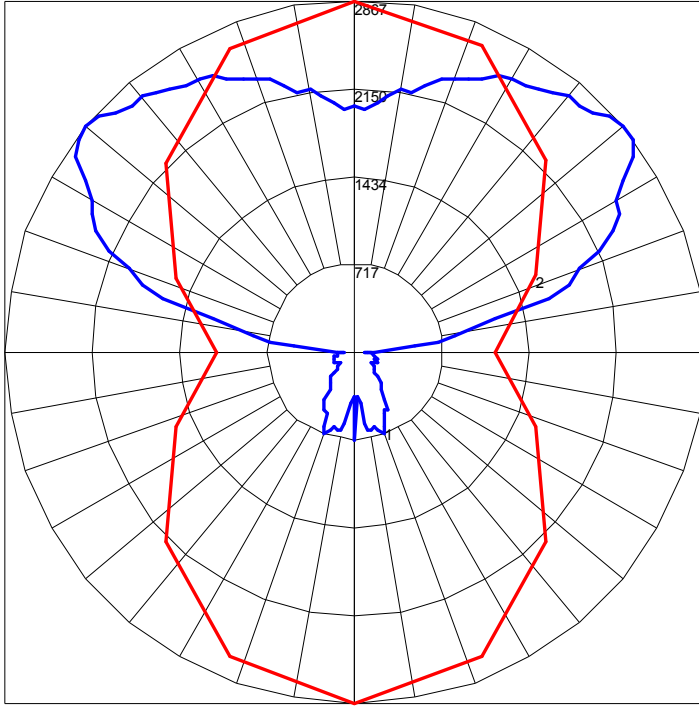
Part Number	Description
PMN <sup>XX</sup>	Rigid pendant - may be used as power feed
CPN <sup>XX</sup>	Aircraft Cable pendant - no power feed
CPW <sup>XX</sup>	Aircraft Cable pendant with power feed wireway

<sup>XX</sup> Denotes pendant length. Order as 12", 15", 18", 21", 24" or 27" lengths.

### Typical Row Configurations

	Row Length	4'	8'	12'	16'	20'	24'	28'	32'	36'	40'	44'	48'
Fixture Length	4'	1		1		1		1		1		1	
	8'		1	1	2	2	3	3	4	4	5	5	6
Power Feed Pendant		1	1	1	1	1	1	1	1	1	1	1	1
Non-Power Pendant		1	1	2	2	3	3	4	4	5	5	6	6
End Caps		2	2	2	2	2	2	2	2	2	2	2	2
Joiner Plates				1	1	2	2	3	3	4	4	5	5

POLAR GRAPH



Maximum Candela = 2867 Located At Horizontal Angle = 90, Vertical Angle = 130  
# 1 - Vertical Plane Through Horizontal Angles (90 - 270) (Through Max. Cd.)  
# 2 - Horizontal Cone Through Vertical Angle (130) (Through Max. Cd.)