



FEATURES & SPECIFICATIONS

APPLICATION – The high performance luminaire is designed for high bay applications where long life, low maintenance, and consistent color rendering is required. Areas with limited accessibility due to fixture location or where heavy traffic makes maintenance difficult are ideal applications such as big box retail, industrial environments or parking garages.

CONSTRUCTION – The heavy duty housing is constructed of extruded aluminum. The optical assemblies are sealed in place using a silicone gasket for weather tight protection. Modular LED bricks wired in parallel for ease of maintenance. ETL listed for wet locations (IP64). Additional IP66 rating available upon request.

FINISH – A Super Durable Polyester powder coat finish is electrostatically applied in our state of the art paint facility. Standard colors available: Black, Bronze, US Green, White. Custom colors available upon request.

OPTICAL SYSTEM – Made with a state of the art UV stabilized acrylic high performance refractive optical assemblies that use high transmissivity materials to achieve precise photometric distributions. Available in Type II, III, IV, IV Automotive, V Medium and V Wide beam configurations.

ELECTRICAL SYSTEM – Available in up to a 6 brick LED system in 5000K Cool White (+/- 500K), 4100K Neutral White and 3000K Warm White color temperatures (70 CRI min.) propagated with Philips Lumileds LUXEON® T LED's or Osram equivalent. Available with 90-300V 50/60 Hz Class II power supply. LED's rated over 355,000 hours (TM21 Calculated L70) at 25°C ambient temperature with selectable 700mA, and 1050mA operation. Lumen Maintenance >97% at 50K hrs. 347V and 480V input options available. Standard 0-10V dimming. Fixture provided with integral 10kV surge protection that meets IEEE C62.42.2-2002. Built-in Active PFC Function. LED Power Supply conforms to UL1310 Class 2 and UL8750 standards and is IP67 rated for wet locations.

MOUNTING – The fixture can be surface mounted over a standard 4" box (provided by others) using the pre-set mounting holes and hardware provided with each fixture. Chain or aircraft cable utilizing the mounting pass-thru holes provided standard. A 3/4" Myer's Hub comes installed for rigid pendant mounting. A 1/2" reducer bushing is available separately. Fixture may be suspended in structured ceiling applications.

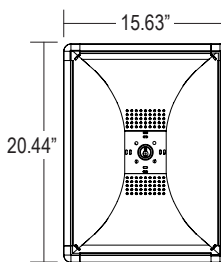
LISTINGS – LED Power Supply listed for wet locations (IP67). LED bricks ETL listed for wet locations (IP64). Meets US and Canadian safety standards. -40°C to 50°C ambient operation. RoHS Compliant.

WARRANTY – The complete luminaire is covered by a 5-year limited warranty.

Catalog Number	
Project	Type



Saber LED High Bay LSBH SERIES



Dimensions shown are for 1 and 2 Brick Unit Only.

Series	Housing Height	Length & Width
LSBH	4.77"	20.44" x 15.63"

ORDERING INFORMATION

Choose the bold face options for the appropriate luminaire configuration for your application and enter on the line above each fixture attribute. Accessories may be factory installed, depending on the particular accessory chosen, but still be ordered as a separate line item.

Example: **LSBH6C8T5MD1-BZ**

Series	# of Bricks	Color Temp	# LED's per Brick	Optics	Drive Current	Voltage	FINISH
LSBH	1 1 Brick 2 2 Brick 3 3 Brick 4 4 Brick 5 5 Brick 6 6 Brick	W Warm White (3000K) C Cool White (5000K) N Neutral White (4100K)	8 18 LED	T2 Type II T3 Type III T4 Type IV T4A Type IV Automotive T5M Type V Medium T5W Type V Wide	C 700mA Driver D 1050mA Driver	1 Multi-Volt ¹ 2 480V 3 347V	BK Black BZ Bronze GR US Green WH White SP Special ²

Accessories (Order as separate line items)

LEDEB18-325	2000 Lumen/90 Minute Battery Back-Up	TLWSFSP-211	Fixture Mount Passive Infrared Motion Sensor (Lenses Ordered Separately)
BSP3-277-1C³	10kV Surge Suppressor	TLWSFSIR-100	Remote Handheld Sensor Configuration Tool
BUSHING3412NPT	3/4" to 1/2" Reducer Bushing	TLWSFSP-L2	360° lens, maximum coverage 48" diameter from 8' height
IP66⁴	Additional IP66 Fixture Rating	TLWSFSP-L3	360° lens, maximum coverage 40" diameter from 20' height
LEDOPTIC-W	Spill Light Elimination	TLWSFSP-L4	360° lens, maximum coverage 60" diameter from 40' height
LEDOPTIC-B	Spill Light Elimination "Black Out"	TLWSFSP-L7	360° lens, maximum coverage 100" diameter from 40' height
10JC	(3) S Hooks and 10' Jack Chain Set		
G10	10' Aircraft Cable with 12' Arms		
G15	15' Aircraft Cable with 12' Arms		
G20	20' Aircraft Cable with 12' Arms		

NOTES

- Multi-Volt is an auto ranging power supply from 90V to 300V input.
- Custom RAL color matching is available. Contact your Techlight sales representative for additional information.
- Specify whether the surge suppressor is to be factory installed in the fixture or field installed on each circuit.
- Additional IP66 rating may not be changed once production has begun on the fixtures.

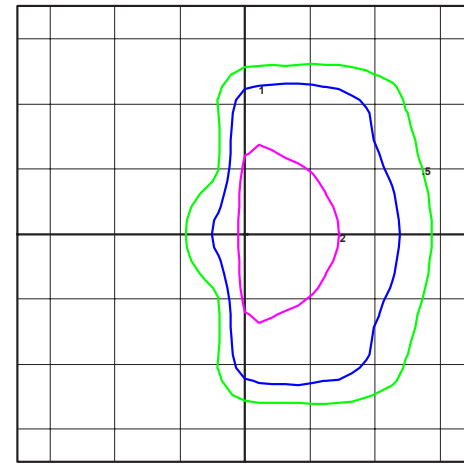
LSBH Saber LED High Bay

PHOTOMETRICS

IES INDOOR REPORT PHOTOMETRIC FILE NAME: LSBH6C8T3D1

Type III Optical Assembly 6 Brick, 1050mA, Cool White

365W LSBH LED High Bay
Color Temperature: 5,000 K

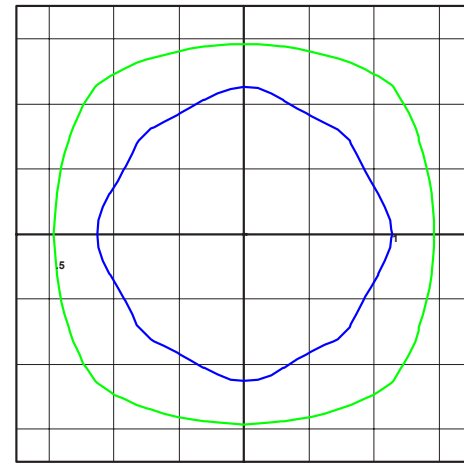


TECHLIGHT
LSBH6C8T3D1
LED COOL WHITE LUXEON T (1050mA)
Horizontal Footcandle
Scale: 1 Inch = 30 Ft.
Light Loss Factor = 1.00
Lumens Per Lamp = N.A. (absolute photometry)
Luminaire Lumens = 25880
Mounting Height = 30.00 Ft
Maximum Calculated Value = 3.46 Fc
Arrangement: Single

IES INDOOR REPORT PHOTOMETRIC FILE NAME: LSBH6C8T5WD1

Type V Wide Optical Assembly 6 Brick, 1050mA, Cool White

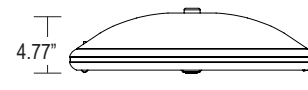
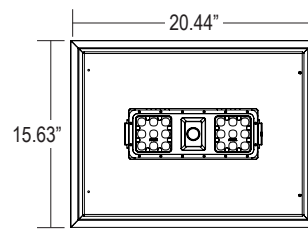
365W LSBH LED High Bay
Color Temperature: 5,000 K



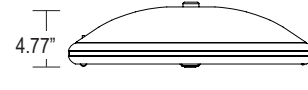
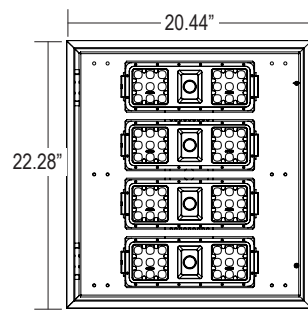
TECHLIGHT
LSBH6C8T5WD1
LED COOL WHITE LUXEON T (1050mA)
Horizontal Footcandle
Scale: 1 Inch = 30 Ft.
Light Loss Factor = 1.00
Lumens Per Lamp = N.A. (absolute photometry)
Luminaire Lumens = 33074
Mounting Height = 30.00 Ft
Maximum Calculated Value = 1.98 Fc
Arrangement: Single

ADDITIONAL FIXTURE DIMENSIONS

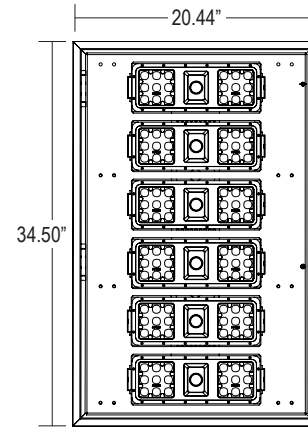
Dimensions for 1 & 2 Brick Unit



Dimensions for 3 & 4 Brick Unit



Dimensions for 5 & 6 Brick Unit



WARNING: Maintenance performed including the replacement of LED bricks while power is still supplied to the luminaire may result in system failures and will void the warranty.

LSBH Saber LED High Bay

LUMINAIRE CHARACTERISTICS

Warm White (3000K) 700 mA Drive Current

# of LED Bricks	# of LEDs per Brick	Color Temp	Delivered Lumens						System Wattage	L70 @ 25°C	Amperage Draw					
			TYPE II	TYPE III	TYPE IV	TYPE 4A	TYPE 5M	TYPE 5W			120V	208V	240V	277V	347V	480V
1 BRICK	18	CW	3853	3793	3839	3792	3813	3862	41	>495K	0.35 A	0.21 A	0.18 A	0.16 A	0.13 A	0.09 A
2 BRICK	18	CW	7705	7588	7677	7584	7626	7724	81	>495K	0.70 A	0.41 A	0.35 A	0.31 A	0.25 A	0.18 A
3 BRICK	18	CW	11559	11381	11516	11376	11439	11585	122	>495K	1.05 A	0.61 A	0.53 A	0.46 A	0.37 A	0.27 A
4 BRICK	18	CW	15411	15175	15354	15169	15251	15447	162	>495K	1.40 A	0.81 A	0.70 A	0.61 A	0.49 A	0.35 A
5 BRICK	18	CW	19264	18969	19193	18961	19065	19309	203	>495K	1.75 A	1.01 A	0.88 A	0.76 A	0.61 A	0.44 A
6 BRICK	18	CW	23117	22763	23031	22753	22877	23171	243	>495K	2.10 A	1.22 A	1.05 A	0.91 A	0.73 A	0.53 A

Warm White (3000K) 1050 mA Drive Current

# of LED Bricks	# of LEDs per Brick	Color Temp	Delivered Lumens						System Wattage	L70 @ 25°C	Amperage Draw					
			TYPE II	TYPE III	TYPE IV	TYPE 4A	TYPE 5M	TYPE 5W			120V	208V	240V	277V	347V	480V
1 BRICK	18	CW	5230	5150	5210	5230	5176	5242	61	>425K	0.53 A	0.31 A	0.27 A	0.23 A	0.19 A	0.14 A
2 BRICK	18	CW	10460	10299	10421	10460	10351	10483	122	>425K	1.05 A	0.61 A	0.53 A	0.46 A	0.37 A	0.27 A
3 BRICK	18	CW	15688	15449	15630	15689	15526	15725	183	>425K	1.58 A	0.91 A	0.79 A	0.69 A	0.55 A	0.40 A
4 BRICK	18	CW	20918	20598	20841	20919	20701	20967	244	>425K	2.10 A	1.22 A	1.05 A	0.91 A	0.73 A	0.53 A
5 BRICK	18	CW	26148	25748	26051	26149	25877	26209	304	>425K	2.63 A	1.52 A	1.32 A	1.14 A	0.91 A	0.66 A
6 BRICK	18	CW	31378	30897	31261	31379	31053	31451	365	>425K	3.15 A	1.82 A	1.58 A	1.37 A	1.09 A	0.79 A

Cool White (5000K) 700 mA Drive Current

# of LED Bricks	# of LEDs per Brick	Color Temp	Delivered Lumens						System Wattage	L70 @ 25°C	Amperage Draw					
			TYPE II	TYPE III	TYPE IV	TYPE 4A	TYPE 5M	TYPE 5W			120V	208V	240V	277V	347V	480V
1 BRICK	18	CW	4056	3993	4041	3992	4014	4065	41	>495K	0.35 A	0.21 A	0.18 A	0.16 A	0.13 A	0.09 A
2 BRICK	18	CW	8111	7987	8081	7983	8027	8130	81	>495K	0.70 A	0.41 A	0.35 A	0.31 A	0.25 A	0.18 A
3 BRICK	18	CW	12167	11980	12122	11975	12041	12195	122	>495K	1.05 A	0.61 A	0.53 A	0.46 A	0.37 A	0.27 A
4 BRICK	18	CW	16222	15974	16162	15967	16054	16260	162	>495K	1.40 A	0.81 A	0.70 A	0.61 A	0.49 A	0.35 A
5 BRICK	18	CW	20278	19967	20203	19959	20068	20325	203	>495K	1.75 A	1.01 A	0.88 A	0.76 A	0.61 A	0.44 A
6 BRICK	18	CW	24334	23961	24243	23950	24081	24390	243	>495K	2.10 A	1.22 A	1.05 A	0.91 A	0.73 A	0.53 A

Cool White (5000K) 1050 mA Drive Current

# of LED Bricks	# of LEDs per Brick	Color Temp	Delivered Lumens						System Wattage	L70 @ 25°C	Amperage Draw					
			TYPE II	TYPE III	TYPE IV	TYPE 4A	TYPE 5M	TYPE 5W			120V	208V	240V	277V	347V	480V
1 BRICK	18	CW	5505	5421	5484	5505	5448	5518	61	>425K	0.53 A	0.31 A	0.27 A	0.23 A	0.19 A	0.14 A
2 BRICK	18	CW	11010	10841	10969	11010	10896	11035	122	>425K	1.05 A	0.61 A	0.53 A	0.46 A	0.37 A	0.27 A
3 BRICK	18	CW	16514	16262	16453	16515	16343	16553	183	>425K	1.58 A	0.91 A	0.79 A	0.69 A	0.55 A	0.40 A
4 BRICK	18	CW	22019	21682	21938	22020	21791	22070	244	>425K	2.10 A	1.22 A	1.05 A	0.91 A	0.73 A	0.53 A
5 BRICK	18	CW	27524	27103	27422	27525	27239	27588	304	>425K	2.63 A	1.52 A	1.32 A	1.14 A	0.91 A	0.66 A
6 BRICK	18	CW	33029	32523	32906	33030	32687	33106	365	>425K	3.15 A	1.82 A	1.58 A	1.37 A	1.09 A	0.79 A

LSBH Saber LED High Bay

LUMINAIRE CHARACTERISTICS CONTINUED

Neutral White (4100K) 700 mA Drive Current

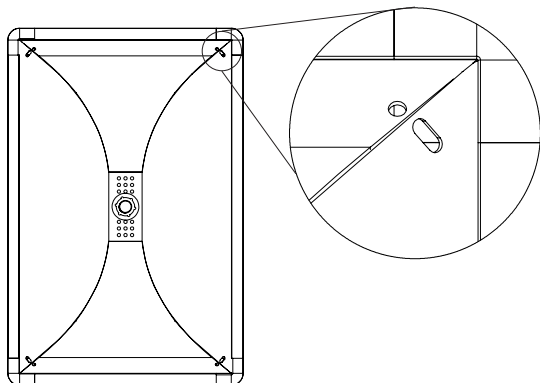
# of LED Bricks	# of LEDs per Brick	Color Temp	Delivered Lumens						System Wattage	L70 @ 25°C	Amperage Draw					
			TYPE II	TYPE III	TYPE IV	TYPE 4A	TYPE 5M	TYPE 5W			120V	208V	240V	277V	347V	480V
1 BRICK	18	NW	3969	3908	3954	3906	3928	3978	41	>495K	.35 A	.20 A	.18 A	.15 A	.12 A	.09 A
2 BRICK	18	NW	7938	7816	7908	7813	7855	7956	81	>495K	.68 A	.39 A	.34 A	.30 A	.24 A	.17 A
3 BRICK	18	NW	11906	11724	11862	11719	11783	11934	122	>495K	1.02 A	.59 A	.51 A	.45 A	.36 A	.26 A
4 BRICK	18	NW	15875	15632	15816	15625	15711	15912	162	>495K	1.35 A	.78 A	.68 A	.59 A	.47 A	.34 A
5 BRICK	18	NW	19844	19540	19770	19531	19638	19890	203	>495K	1.70 A	.98 A	.85 A	.74 A	.59 A	.43 A
6 BRICK	18	NW	23813	23448	23724	23438	23566	23868	243	>495K	2.03 A	1.17 A	1.02 A	.88 A	.71 A	.51 A

Neutral White (4100K) 1050 mA Drive Current

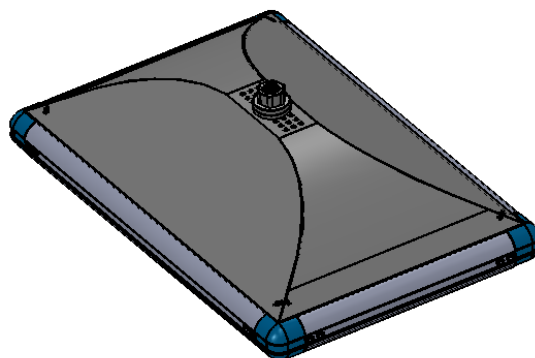
# of LED Bricks	# of LEDs per Brick	Color Temp	Delivered Lumens						System Wattage	L70 @ 25°C	Amperage Draw					
			TYPE II	TYPE III	TYPE IV	TYPE 4A	TYPE 5M	TYPE 5W			120V	208V	240V	277V	347V	480V
1 BRICK	18	NW	5387	5305	5367	5302	5331	5400	61	>425K	.51 A	.30 A	.26 A	.23 A	.18 A	.13 A
2 BRICK	18	NW	10774	10609	10734	10604	10662	10799	122	>425K	1.02 A	.59 A	.51 A	.45 A	.36 A	.26 A
3 BRICK	18	NW	16161	15914	16101	15907	15994	16199	183	>425K	1.53 A	.88 A	.77 A	.67 A	.53 A	.39 A
4 BRICK	18	NW	21548	21218	21468	21209	21325	21598	244	>425K	2.04 A	1.18 A	1.02 A	.89 A	.71 A	.51 A
5 BRICK	18	NW	26935	26523	26835	26511	26656	26998	304	>425K	2.54 A	1.47 A	1.27 A	1.10 A	.88 A	.64 A
6 BRICK	18	NW	32322	31827	32202	31813	31987	32397	365	>425K	3.05 A	1.76 A	1.53 A	1.32 A	1.06 A	.77 A

MOUNTING DETAIL

Cable/Chain Mount Pass-thru Holes



3/4" Myer's Hub for Rigid Pendant Mount
(Comes standard - 1/2" reducer bushing available)



Techlight, Inc.
2707 Satsuma Drive
Dallas, TX, 75229
Phone: 214-350-0591, 800-225-0727,
www.techlight.com