



Catalog Number	
Project	Type

FEATURES & SPECIFICATIONS

APPLICATION — The high performance luminaire is designed for area lighting applications where long life, low maintenance, and consistent color rendering is required. Areas with limited accessibility due to fixture location or where heavy pedestrian or vehicle traffic makes maintenance difficult are ideal applications such as parking lots or walkways. It is also compact and versatile enough for general purpose security lighting.

CONSTRUCTION — The heavy duty housing is constructed of extruded aluminum. The optical assemblies are sealed in place using a silicone gasket for weather tight protection. Modular LED bricks wired in parallel for ease of maintenance. ETL listed for wet locations (IP64). Additional IP66 rating available upon request.

FINISH — A Super Durable Polyester powder coat finish is electrostatically applied in our state of the art paint facility. Standard colors available: Black, Bronze, US Green, White. Custom colors available upon request.

OPTICAL SYSTEM — Made with a state of the art UV stabilized acrylic high performance refractive optical assemblies that use high transmittivity materials to achieve precise photometric distributions. Available in Type II, III, IV, IV Automotive, V Medium and V Wide beam configurations. Star Light Friendly (meets or exceeds Dark Sky requirements) in the horizontal position.

ELECTRICAL SYSTEM — Available in up to a 6 brick LED system in 5000K Cool White (+/- 500K) or 4100K Neutral White color temperatures (70 CRI min.) propagated with Philips Lumileds LUXEON® T LED's or Osram equivalent. Available with 90-300V 50/60 Hz Class II power supply. LED's rated over 355,000 hours (TM21 Calculated L70) at 25°C ambient temperature with selectable 700mA and 1050mA operation. Lumen Maintenance >97% at 50K hrs. 347V and 480V input options available. Standard 0-10V dimming. Fixture provided with integral 10kV surge protection that meets IEEE C62.42.2-2002. Built-in Active PFC

LSBT SERIES

Tapered Back Saber LED Area Light



SERIES	HOUSING HEIGHT	LENGTH & WIDTH
LSBT	5.63"	36.00" x 20.62"

Function. LED Power Supply conforms to UL1310 Class 2 and UL8750 standards and is IP67 rated for wet locations.

MOUNTING — The fixture is designed to mount directly to a square pole. An adaptor is available for direct mount to round poles. Techlight's Quick Mount Bracket for flush mount or the Quick Mount Bracket with various arm lengths also available. All mounting options allow the Tapered Back Saber to mount at 90 degree intervals.

LISTINGS — LED luminaire ETL listed for wet locations. Meets US and Canadian safety standards. -40°C to 50°C ambient operation. RoHS Compliant.

WARRANTY — The complete luminaire is covered by a 5-year limited warranty.

ORDERING INFORMATION

Choose the bold face options for the appropriate luminaire configuration for your application and enter on the line above each fixture attribute. Accessories may be factory installed, depending on the particular accessory chosen, but still be ordered as a separate line item.

EXAMPLE:

LSBT6C8T5WD1-BZQMB

LSBT									
SERIES	# OF BRICKS	COLOR TEMP	# LED'S PER BRICK	OPTICS	DRIVE CURRENT	VOLTAGE	ROTATIONS	FINISH	OPTIONS
1 = 1 Brick 2 = 2 Bricks 3 = 3 Bricks 4 = 4 Bricks 5 = 5 Bricks 6 = 6 Bricks	C = Cool White (5000K) N = Neutral White (4100K)	8 = 18 LED'S	T2 = Type II T3 = Type III T4 = Type IV T4A = Type IV Automotive T5M = Type V Medium T5W = Type V Wide	C = 700 mA D = 1050 mA	1 = Multi-Volt ¹ 2 = 480V 3 = 347V	L = Left Rotated Optics R = Right Rotated Optics (Leave Blank for standard optics)	BZ = Bronze BK = Black GR = US Green WH = White SP = Special ²	HOEB ⁵ = 2000 Lumen/90 Minute Battery Back-Up IP66 ³ = Additional IP66 Fixture Rating PCR7 ⁴ = 7-Pin Twist-Lock Photocell Receptacle ANSIC136.41 with Shorting Cap PC2 = 480V Twist-Lock Photocell PC7 = Multi-Tap (105-285V) Twist-Lock Photocell IMS ⁶ = Fixture Mount Passive Infrared Motion Sensor	

ACCESSORIES (Order as separate line items)

- QMB** Quick Mount Bracket - Flush, No Arm
- QMSSA-S** Quick Mount Bracket with 2" Straight Arm
- QMSSA-M** Quick Mount Bracket with 8" Straight Arm
- QMSSA** Quick Mount Bracket with 10.75" Straight Arm
- RPASSA** Round Pole Mount Adaptor for Direct Mounting
- TLWSFIR-100** Remote Handheld Sensor Configuration Tool

NOTES

- 1 Multi-Volt is an auto ranging power supply from 90V to 300V input.
- 2 Custom RAL color matching is available. Contact your Techlight sale representative for additional information.
- 3 Additional IP66 rating may not be changed once production has begun on the fixtures.
- 4 PCR7 photocell receptacle must be oriented in the field so that the light sensor on the control is facing North.
- 5 With EM configuration requires Medium housing for 1-2 Bricks and Large housing for 3-4 Bricks; EM is not available for 5-6 Bricks.
- 6 TLWSFSP-L3 or L7 Lens must be ordered along with this sensor.
- 7 Photo control shield available upon request. Lens must be ordered with IMS option.

(IMS Lenses Below, Ordered Separately)

TLWSFSP-L3⁷ = 360° lens, maximum coverage 40' diameter from 20' height
TLWSFSP-L7⁷ = 360° lens, maximum coverage 100' diameter from 40' height

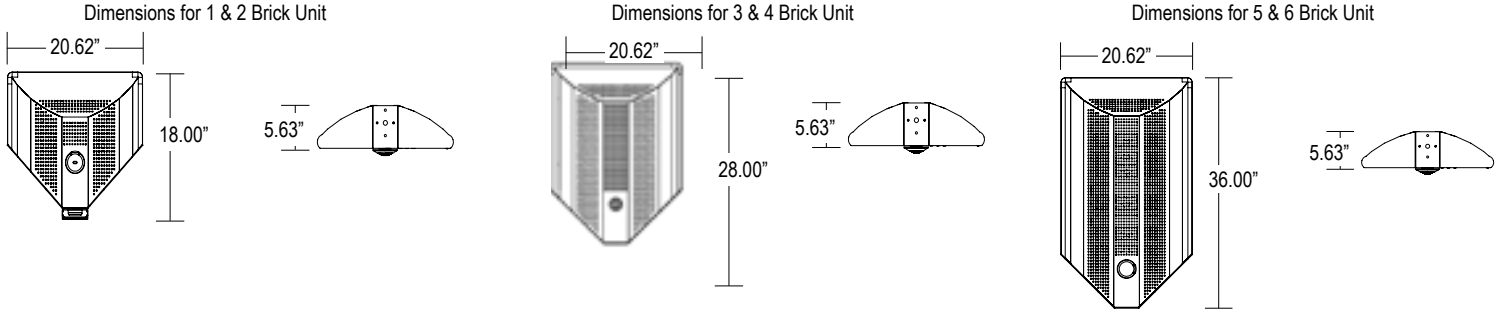
EPA RATINGS (ft²)

Tilt angle:	Saber Small (1-2 Brick Fixtures)								Saber Medium (3-4 Brick Fixtures)								Saber Large (5-6 Brick Fixtures)							
	0	20	30	45	60	70	90		0	20	30	45	60	70	90		0	20	30	45	60	70	90	
190 - 1 fixture @ 90°	0.6	1	1.2	1.6	2	2.1	2.6	0.65	1.32	1.65	2.23	2.67	2.86	3.63	0.65	1.85	2.44	3.31	3.97	4.26	5.47			
2180 - 2 fixtures @ 180°	1.3	2.1	2.5	3.3	4	4.2	5.3	1.4	2.7	3.4	4.5	5.4	5.8	7.3	2.2	3.7	4.9	6.7	8	8.6	11			
290 - 2 fixtures @ 90°	1.2	1.5	1.8	2.2	2.5	2.6	3.2	1.4	2.1	2.4	3	3.4	3.6	4.4	1.8	3	3.6	4.5	5.1	5.4	6.6			
390 - 3 fixtures @ 90°	1.6	2	2.2	2.6	2.9	3.1	3.6	2	2.7	3.1	3.6	4.1	4.3	5	2.4	4.1	4.7	5.5	6.2	6.5	7.7			
3120 - 3 fixtures @ 120°	1.9	2.6	3	3.7	4.2	4.5	5.1	2.2	3.4	4	5	5.8	6.1	7	3.2	4.9	5.9	7.4	8.6	9.1	10.5			
490 - 4 fixtures @ 90°	2.3	3	3.5	4.3	4.9	5.2	6.3	2.7	4.1	4.7	5.9	6.8	7.1	8.7	3.5	5.9	7.1	8.9	10.2	10.8	13.2			

LSBT Tapered Back Saber LED Area Light

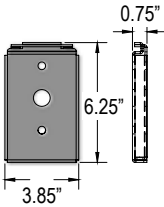
AVAILABLE FIXTURE DIMENSIONS⁵

Dimensions shown are for fixture bodies only. Mounting options must be ordered separately.

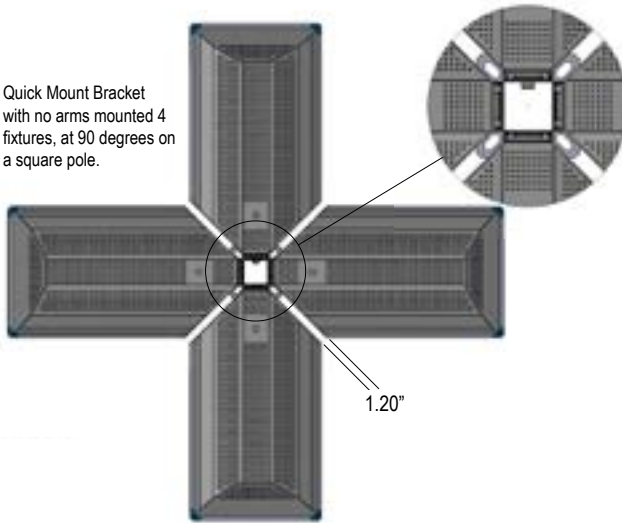


MOUNTING ACCESSORIES

QMB
Quick Mount Bracket - Flush, No Arm



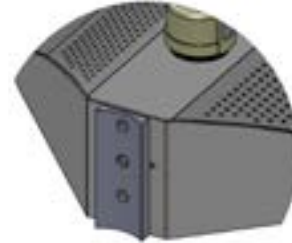
Quick Mount Bracket with no arms mounted 4 fixtures, at 90 degrees on a square pole.



QMSSA-S [EPA - 0.1]
Quick Mount Bracket with 2" Straight Arm
QMSSA-M [EPA - 0.3]
Quick Mount Bracket with 8" Straight Arm
QMSSA [EPA - 0.4]
Quick Mount Bracket with 10.75" Straight Arm



RPASSA
Round Pole Mount Adaptor for Direct Mounting

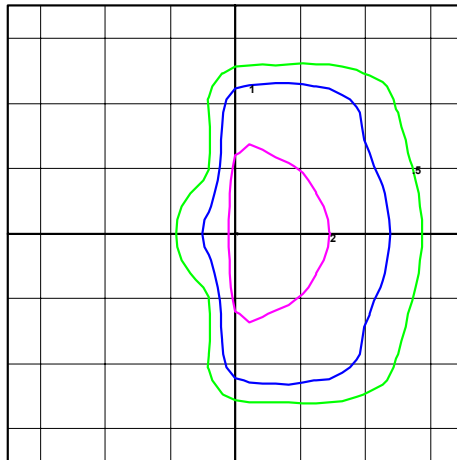


PHOTOMETRICS

IES INDOOR REPORT
PHOTOMETRIC FILE
NAME: LSBT6C8T3D1

Type III Optical Assembly
6 Brick, 1050mA, Cool White

365W LSBT LED Area Light
Color Temperature: 5,000 K

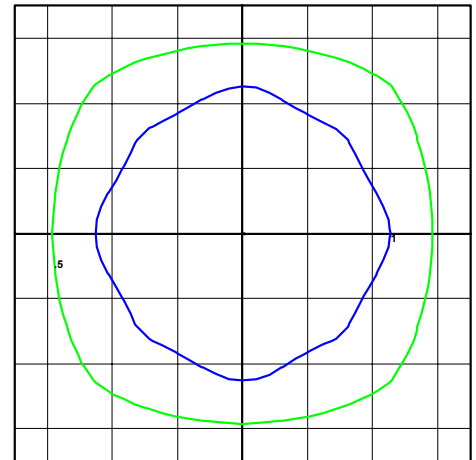


TECHLIGHT
LSBR6C8T3D
LED COOL WHITE LUXEON T (1050mA)
Horizontal Footcandles
Scale: 1 Inch = 30 Ft.
Light Loss Factor = 1.00
Lumens Per Lamp = N.A. (absolute photometry)
Luminaire Lumens = 25880
Mounting Height = 30.00 Ft
Maximum Calculated Value = 3.46 Fc
Arrangement: Single

IES INDOOR REPORT
PHOTOMETRIC FILE
NAME: LSBT6C8T5WD1

Type V Wide Optical Assembly
6 Brick, 1050mA, Cool White

365W LSBT LED Area Light
Color Temperature: 5,000 K



TECHLIGHT
LSBR6C8T5WD
LED COOL WHITE LUXEON T (1050mA)
Horizontal Footcandles
Scale: 1 Inch = 30 Ft.
Light Loss Factor = 1.00
Lumens Per Lamp = N.A. (absolute photometry)
Luminaire Lumens = 33074
Mounting Height = 30.00 Ft
Maximum Calculated Value = 1.98 Fc
Arrangement: Single

WARNING: Maintenance performed including the replacement of LED bricks while power is still supplied to the luminaire may result in system failures and will void the warranty.



TECHLIGHT
INNOVATION IN ILLUMINATION

2707 SATSUMA DR. | DALLAS, TX 75229 | PH: 800.225.0727 | Email: techlight@techlight.com | www.techlight.com

All dimensions and specifications are subject to change without notice.

REV: 20231115-06

LUMINAIRE CHARACTERISTICS

Cool White (5000K) 700 mA Drive Current

# of LED Bricks	# of LEDs per Brick	Color Temp	Delivered Lumens						System Wattage	L70 @ 25°C	Amperage Draw					
			TYPE II	TYPE III	TYPE IV	TYPE 4A	TYPE 5M	TYPE 5W			120V	208V	240V	277V	347V	480V
1 BRICK	18	CW	3227	3993	3187	3989	4014	4065	41	>495K	.35 A	.20 A	.18 A	.15 A	.12 A	.09 A
			B1 U0 G1	B2 U0 G1	B1 U0 G1	B1 U0 G1	B2 U0 G1	B3 U0 G1								
2 BRICK	18	CW	6455	7987	6375	7979	8027	8130	81	>495K	.68 A	.39 A	.34 A	.30 A	.24 A	.17 A
			B1 U0 G2	B3 U0 G2	B1 U0 G2	B2 U0 G1	B3 U0 G1	B4 U0 G2								
3 BRICK	18	CW	9682	11980	9564	11964	12041	12195	122	>495K	1.02 A	.59 A	.51 A	.45 A	.36 A	.26 A
			B2 U0 G3	B3 U0 G2	B1 U0 G3	B3 U0 G2	B3 U0 G1	B4 U0 G2								
4 BRICK	18	CW	12911	15974	12750	15957	16054	16260	162	>495K	1.35 A	.78 A	.68 A	.59 A	.47 A	.34 A
			B2 U0 G3	B4 U0 G3	B2 U0 G3	B3 U0 G2	B4 U0 G2	B5 U0 G3								
5 BRICK	18	CW	16134	19967	15938	19855	20068	20325	203	>495K	1.70 A	.98 A	.85 A	.74 A	.59 A	.43 A
			B2 U0 G3	B4 U0 G3	B2 U0 G3	B2 U0 G3	B4 U0 G2	B5 U0 G3								
6 BRICK	18	CW	19364	23961	19128	23929	24081	24390	243	>495K	2.03 A	1.17 A	1.02 A	.88 A	.71 A	.51 A
			B3 U0 G4	B4 U0 G4	B2 U0 G4	B3 U0 G2	B5 U0 G2	B5 U0 G4								

Cool White (5000K) 1050 mA Drive Current

# of LED Bricks	# of LEDs per Brick	Color Temp	Delivered Lumens						System Wattage	L70 @ 25°C	Amperage Draw					
			TYPE II	TYPE III	TYPE IV	TYPE 4A	TYPE 5M	TYPE 5W			120V	208V	240V	277V	347V	480V
1 BRICK	18	CW	4380	5421	4327	5388	5448	5518	61	>425K	.51 A	.30 A	.26 A	.23 A	.18 A	.13 A
			B1 U0 G2	B2 U0 G1	B1 U0 G2	B1 U0 G1	B2 U0 G1	B3 U0 G2								
2 BRICK	18	CW	8761	10841	8653	10778	10896	11035	122	>425K	1.02 A	.59 A	.51 A	.45 A	.36 A	.26 A
			B2 U0 G3	B3 U0 G2	B1 U0 G2	B2 U0 G1	B3 U0 G1	B4 U0 G2								
3 BRICK	18	CW	13142	16262	12979	16170	16343	16553	183	>425K	1.53 A	.88 A	.77 A	.67 A	.53 A	.39 A
			B2 U0 G3	B4 U0 G3	B2 U0 G3	B3 U0 G2	B4 U0 G2	B5 U0 G3								
4 BRICK	18	CW	17522	21682	17306	21555	21791	22070	244	>425K	2.04 A	1.18 A	1.02 A	.89 A	.71 A	.51 A
			B3 U0 G3	B4 U0 G3	B2 U0 G3	B3 U0 G3	B4 U0 G2	B5 U0 G4								
5 BRICK	18	CW	21901	27103	21633	26944	27239	27588	304	>425K	2.54 A	1.47 A	1.27 A	1.10 A	.88 A	.64 A
			B3 U0 G4	B4 U0 G4	B3 U0 G4	B3 U0 G3	B5 U0 G2	B5 U0 G4								
6 BRICK	18	CW	26286	32523	25959	32340	32687	33106	365	>425K	3.05 A	1.76 A	1.53 A	1.32 A	1.06 A	.77 A
			B3 U0 G4	B5 U0 G4	B3 U0 G4	B4 U0 G3	B5 U0 G3	B5 U0 G4								

Neutral White (4100K) 700 mA Drive Current

# of LED Bricks	# of LEDs per Brick	Color Temp	Delivered Lumens						System Wattage	L70 @ 25°C	Amperage Draw					
			TYPE II	TYPE III	TYPE IV	TYPE 4A	TYPE 5M	TYPE 5W			120V	208V	240V	277V	347V	480V
1 BRICK	18	NW	4106	4682	4056	5074	5107	5172	41	>495K	.35 A	.20 A	.18 A	.15 A	.12 A	.09 A
			B1 U0 G2	B1 U0 G1	B1 U0 G1	B1 U0 G1	B2 U0 G1	B3 U0 G1								
2 BRICK	18	NW	8212	9364	8112	10148	10212	10343	81	>495K	.68 A	.39 A	.34 A	.30 A	.24 A	.17 A
			B1 U0 G2	B2 U0 G2	B1 U0 G2	B2 U0 G1	B3 U0 G1	B4 U0 G2								
3 BRICK	18	NW	12318	14046	12168	15222	15318	15515	122	>495K	1.02 A	.59 A	.51 A	.45 A	.36 A	.26 A
			B2 U0 G3	B3 U0 G3	B2 U0 G3	B3 U0 G2	B4 U0 G2	B4 U0 G2								
4 BRICK	18	NW	16424	18728	16224	20296	20425	20686	162	>495K	1.35 A	.78 A	.68 A	.59 A	.47 A	.34 A
			B2 U0 G3	B3 U0 G3	B2 U0 G3	B3 U0 G2	B4 U0 G2	B5 U0 G3								
5 BRICK	18	NW	20530	23410	20280	25370	25530	25857	203	>495K	1.70 A	.98 A	.85 A	.74 A	.59 A	.43 A
			B3 U0 G4	B3 U0 G3	B3 U0 G4	B3 U0 G3	B5 U0 G2	B5 U0 G4								
6 BRICK	18	NW	24636	28092	24336	30444	30636	31029	243	>495K	2.03 A	1.17 A	1.02 A	.88 A	.71 A	.51 A
			B3 U0 G4	B3 U0 G4	B3 U0 G4	B4 U0 G3	B5 U0 G2	B5 U0 G4								

Neutral White (4100K) 1050 mA Drive Current

# of LED Bricks	# of LEDs per Brick	Color Temp	Delivered Lumens						System Wattage	L70 @ 25°C	Amperage Draw					
			TYPE II	TYPE III	TYPE IV	TYPE 4A	TYPE 5M	TYPE 5W			120V	208V	240V	277V	347V	480V
1 BRICK	18	NW	5573	6966	5505	6748	6931	7020	61	>425K	.51 A	.30 A	.26 A	.23 A	.18 A	.13 A
			B1 U0 G2	B1 U0 G2	B1 U0 G2	B3 U0 G2	B2 U0 G1	B3 U0 G2								
2 BRICK	18	NW	11146	13932	11010	13496	13861	14039	122	>425K	1.02 A	.59 A	.51 A	.45 A	.36 A	.26 A
			B2 U0 G3	B2 U0 G2	B2 U0 G3	B3 U0 G2	B3 U0 G1	B4 U0 G2								
3 BRICK	18	NW	16719	20898	16515	20244	20793	21059	183	>425K	1.53 A	.88 A	.77 A	.67 A	.53 A	.39 A
			B3 U0 G2	B3 U0 G4	B2 U0 G3	B3 U0 G2	B4 U0 G2	B5 U0 G3								
4 BRICK	18	NW	22292	27864	22020	26992	27723	28078	244	>425K	2.04 A	1.18 A	1.02 A	.89 A	.71 A	.51 A
			B3 U0 G4	B3 U0 G4	B3 U0 G4	B3 U0 G3	B5 U0 G2	B5 U0 G4								
5 BRICK	18	NW	27865	34830	27525	33740	34653	35098	304	>425K	2.54 A	1.47 A	1.27 A	1.10 A	.88 A	.64 A
			B3 U0 G4	B3 U0 G4	B3 U0 G4	B4 U0 G3	B5 U0 G3	B5 U0 G4								
6 BRICK	18	NW	33438	41796	33030	40488	41584	42117	365	>425K	3.05 A	1.76 A	1.53 A	1.32 A	1.06 A	.77 A
			B3 U0 G5	B4 U0 G5	B3 U0 G4	B4 U0 G3	B5 U0 G3	B5 U0 G5								