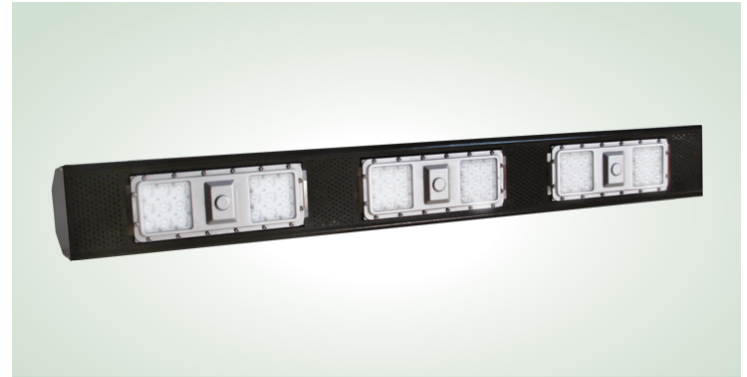




## LED Sign Lighter

Catalog Number	
Project	Type



### FEATURES & SPECIFICATIONS

**APPLICATION** — The LSLL Series LED Sign Lighter is designed illuminating architectural surfaces and commercial signage. Areas with limited accessibility due to fixture location or where heavy pedestrian or vehicle traffic makes maintenance difficult are ideal applications. The low profile design keeps the fixture placement discrete for both ground and wall mounted applications.

**CONSTRUCTION** — The heavy duty housing is constructed of extruded aluminum. The optical assemblies are sealed in place using a silicone gasket for weather tight protection. Modular LED bricks wired in parallel for ease of maintenance. ETL listed for wet locations (IP64). Additional IP66 rating available upon request.

**FINISH** — A Super Durable Polyester powder coat finish is electrostatically applied in our state of the art paint facility. Standard colors available: Black, Bronze, US Green, White. Custom colors available upon request.

**OPTICAL SYSTEM** — Made with a state of the art UV stabilized acrylic high performance refractive optical assemblies that use high transmissivity materials to achieve smooth, uniform asymmetrical light patterns for illuminating signage.

**ELECTRICAL SYSTEM** — Available in up to a 3 brick LED system in 5000K Cool White (+/- 500K) or 4000K Neutral White color temperatures propagated with Cree XPL2 LED's. Available with 90-300V 50/60 Hz Class II power supply. LED's rated over 425,000 hours (TM21 Calculated L70) at 25°C ambient temperature with selectable 700mA max current operation. Lumen Maintenance >97% at 50K hrs. 347V and 480V input options available. Standard 0-10V dimming. Driver provided with integral 4kV surge protection that meets IEEE C62.42.2-2002. Optional 10kV Surge Suppressor available (see accessories). Built-in Active PFC Function. LED Power Supply conforms to UL1310 Class 2 and UL8750 standards and is IP67 rated for wet locations.

SERIES	HOUSING HEIGHT	LENGTH & WIDTH
<b>LSLL</b>	4.86"	48.10" x 3.80

**MOUNTING** — Two ½" adjustable knuckles are provided to easily adjust and aim the fixture at the desired surface to illuminate. Each knuckle is designed to rotate over 180° to allow mounting with the fixture orientated above or below the intended target. Wall mount stand-off brackets (30") are available for wall mount applications. Mounting stakes and junction boxes are available for ground mounting applications.

**LISTINGS** — LED Power Supply listed for wet locations (IP67). LED bricks ETL listed for wet locations (IP65). Meets US and Canadian safety standards. -40°C to 50°C ambient operation. RoHS Compliant.

**WARRANTY** — The complete luminaire is covered by a 5-year limited warranty.

### ORDERING INFORMATION

Choose the bold face options for the appropriate luminaire configuration for your application and enter on the line above each fixture attribute. Accessories may be factory installed, depending on the particular accessory chosen, but still be ordered as a separate line item.

EXAMPLE:

**LSLL 3 C 8 T5W C 1 BZ  
(2) 132216**

LSLL	# OF BRICKS	COLOR TEMP	# LED'S PER BRICK	OPTICS	DRIVE CURRENT	VOLTAGE	FINISH
<b>SERIES</b>	<b>1</b> = 1 Brick <b>2</b> = 2 Brick <b>3</b> = 3 Brick	<b>C</b> = Cool White (5000K) <b>N</b> = Neutral White (4000K)	<b>8</b> = 18 LEDs	<b>T2</b> = Type II <b>T3</b> = Type III <b>T4</b> = Type IV <b>T4A</b> = Type IV Auto <b>T5M</b> = Type V Medium <b>T5W</b> = Type V Wide	<b>C</b> = 700 mA	<b>1</b> = Multi-Volt <sup>1</sup> <b>2</b> = 480V <b>3</b> = 347	<b>BZ</b> = Bronze <b>BK</b> = Black <b>GR</b> = US Green <b>WH</b> = White <b>SP</b> = Special <sup>2</sup>

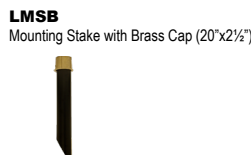
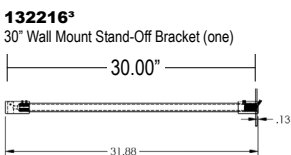
### ACCESSORIES (Order as separate line items)

- 132216<sup>3</sup>** 30" Wall Mount Stand-Off Bracket (one)
- LMSB** Mounting Stake (20" x 2-½" with Brass Cap)
- TLSBBJB** Brass Junction Box
- BSP3-277-LC<sup>4</sup>** 10kV Surge Suppressor
- LEDOPTIC-W** Spill Light Elimination
- LEDOPTIC-B** Spill Light Elimination Black Out
- S234** Visor Shield for 2' LSLL Models
- S218** Visor Shield for 4' LSLL Models

### NOTES

- 1** = Multi-Volt is 120/277V
- 2** = Custom RAL color matching is available. Contact your sales representative for additional info.
- 3** = Must order 2 per fixture.
- 4** = Specify whether the surge suppressor is to be factory installed in the fixture or field installed on each circuit.

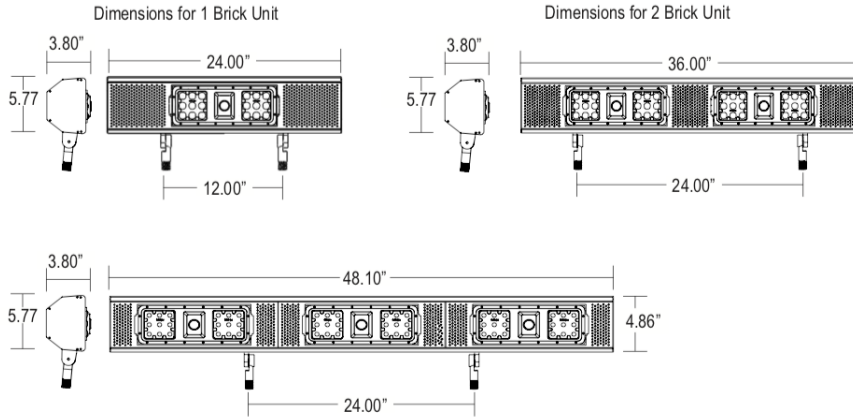
### FIXTURE & MOUNTING ACCESSORIES



# LSLL LED Sign Lighter

## FIXTURE DIMENSIONS

Dimensions shown are for fixture bodies only. Mounting options must be ordered separately.



## LUMINAIRE CHARACTERISTICS

### Cool White (5000k) 700 mA Drive Current

# of LED Bricks	Drive Current	Delivered Lumens						System Wattage	L70 @ 25°C	Amperage Draw					
		TYPE II	TYPE III	TYPE IV	TYPE 4A	TYPE 5M	TYPE 5W			120V	208V	240V	277V	347V	480V
1 BRICK	700 mA	4056	3993	4041	3992	4014	4065	41	>495K	0.35 A	0.21 A	0.18 A	0.16 A	0.13 A	0.09 A
2 BRICK	700 mA	8111	7987	8081	7983	8027	8130	81	>495K	0.70 A	0.41 A	0.35 A	0.31 A	0.25 A	0.18 A
3 BRICK	700 mA	12167	11980	12122	11975	12041	12195	122	>495K	1.05 A	0.61 A	0.53 A	0.46 A	0.37 A	0.27 A

### Neutral White (4000k) 700 mA Drive Current

# of LED Bricks	Drive Current	Delivered Lumens						System Wattage	L70 @ 25°C	Amperage Draw					
		TYPE II	TYPE III	TYPE IV	TYPE 4A	TYPE 5M	TYPE 5W			120V	208V	240V	277V	347V	480V
1 BRICK	700 mA	3969	3908	3954	3906	3928	3978	41	>495K	.35 A	.20 A	.18 A	.15 A	.12 A	.09 A
2 BRICK	700 mA	7938	7816	7908	7813	7855	7956	81	>495K	.68 A	.39 A	.34 A	.30 A	.24 A	.17 A
3 BRICK	700 mA	11906	11724	11862	11719	11783	11934	122	>495K	1.02 A	.59 A	.51 A	.45 A	.36 A	.26 A

**WARNING:** Maintenance performed including the replacement of LED bricks while power is still supplied to the luminaire may result in system failures and will void the warranty.



**TECHLIGHT**  
INNOVATION IN ILLUMINATION