



Catalog Number	
Project	Type

FEATURES & SPECIFICATIONS

APPLICATION — Retrofit Kits are a great way to modify an existing fixture to save time and energy. With 50,000 hours of life at L70 standard and a 5-year limited warranty the fixture maintenance cost is reduced substantially over time.

CONSTRUCTION — LTRK Series is a complete LED system replacing existing socket plates and lamps. Used to delamp from fluorescent lamps to an LED light source in grid ceiling 2'x4' troffers. This retrofit system allows for removal and discarding of the ballast cover, removal of lamps, optimizing light output and reducing energy consumption to comply with utility rebate requirements.

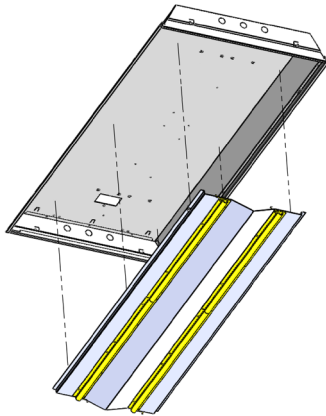
ELECTRICAL SYSTEM — Long life LED's and high efficiency drivers work together to provide superior performance in an efficient package to deliver optimal performance. LED's available in 3500K, 4000K and 5000K with a CRI >82. Electronic drivers are available in 120/277 volt applications. 0-10V dimming as well as 50% step dimming capabilities available upon request. When in the step dimming 50% position the 0-10V leads may still be utilized for further dimming control.

LISTINGS — ETL listed. LM79 and LM80 tested.

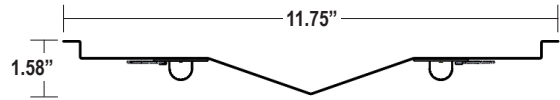
WARRANTY — The retrofit kit is covered by a 5-year limited warranty.



2x4 LED Troffer Retrofit Kit LTRK SERIES



Single piece panels with pre-punched mounting holes makes installation simple and quick.



Series	Housing Height	Length & Width
LTRK	1.58"	46.00" x 11.75"

ORDERING INFORMATION

Choose the bold face options for the appropriate luminaire configuration for your application and enter on the line above each fixture attribute. Accessories may be factory installed, depending on the particular accessory chosen, but still be ordered as a separate line item.

LTRK			
Series	Wattage	Delivered Lumens/CCT	Voltage
LTRK	52 ¹	41 4189 Lumens / 3500K 45 4505 Lumens / 4000K 46 4559 Lumens / 5000K	D Multi-Volt ²

Example: **LTRK5246D**

Options (Order as separate line items)

LEB13 1300 Lumen Emergency Ballast

NOTES

- Actual wattage may differ by ±5% while operating 120/277V ±10%.
- Multi-Volt is 120/277V.