



Catalog Number	
Project	Type

FEATURES & SPECIFICATIONS

APPLICATION — The LVSSWL Well Light was designed as a low profile MR16 well light with a compact size that allows it to be mounted in any position, in nearly any application. It can stand up to the corrosive forces of water, soil, and time.

CONSTRUCTION — The Stainless Steel finish ring, gives this fixture a sleek and modern look. Stainless Steel cover and pin design for maximum light output. The well light has a water tight rubber gasket. Tempered, shock and heat resistant lens. 25° adjustable lamp position and high temperature ceramic socket. The lamp is able to be replaced on the field.

OPTICAL SYSTEM — A 120° wide flood lens assembly provides an efficient optical assembly in conjunction with the light source.

ELECTRICAL SYSTEM — The fixture can be used with up to 50W 12V MR16 bi-pin lamps. (Lamp is not included)

MOUNTING — Comes with 3' of 18-2 low voltage wire and a low voltage connector. Single piece black ABS mounting sleeve comes standard.

LISTINGS — ETL listed for wet locations.

ORDERING INFORMATION

Choose the bold face options for the appropriate luminaire configuration for your application and enter on the line above each fixture attribute. Accessories may be factory installed, depending on the particular accessory chosen, but still be ordered as a separate line item.

EXAMPLE:
LVSSWL

SERIES	DESCRIPTION
LVSSWL	Small Stainless Steel Cover, PVC Housing, Bi Pin , 9-15V AC/DC (Lamp is not included)

LVSSWL

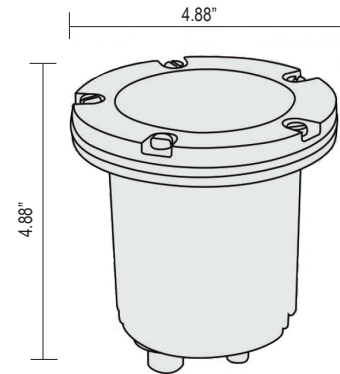
Small Stainless Steel Well Light



SERIES	HOUSING HEIGHT	DIAMETER
LVSSWL	4.88"	4.88"

DIMENSIONS

Dimensions shown are for fixture bodies only. Mounting options must be ordered separately.

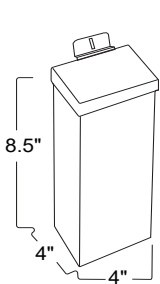


ACCESSORIES (Order as separate line items)

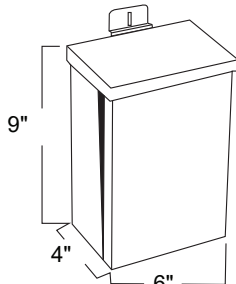
LSSEB01 150W LV Transformer Enclosure

LMSEB02 300W LV Transformer Enclosure

LMSEB08 600W LV Transformer Enclosure



150W



300W - 600W

WIRING SUGGESTIONS

To minimize voltage drops, locating the transformer in the most central location possible and making the cable run in two or more directions instead of one long run. Do not overload wire.

WIRE SIZE	MAXIMUM LOAD
12/2	240 Watts
10/2	360 Watts

Techlight recommends no more than a 2 volt drop at the last fixture. This can be checked with a volt meter or by multiplying the total watts on the cable by the total length of the cable and dividing by the cable constant.

FORMULA:

$$(TOTAL\ WATTS \times CABLE\ LENGTH) / CABLE\ CONSTANT = VOLTAGE\ DROP$$

TOTAL WATTS - Sum of wattage for every lamp on one run.

CABLE LENGTH - Length of cable in feet from transformer to the last fixture of the run.

WIRE SIZE	CABLE CONSTANT
#12	7500 (12 Volt)
#10	11920 (12 Volt)
#12	15000 (24 Volt)
#10	23840 (24 Volt)



WARNING: TECHLIGHT LOW VOLTAGE TRANSFORMERS ARE ETL LISTED FOR LOW VOLTAGE LIGHTING PURPOSES AND MEET ALL 1999 N.E.C. CODES.