



Catalog Number	
Project	Type

Features & Specifications

Construction

Constructed with a die cast aluminum housing. A tempered glass lens protects the optical system. Gasketed side hinge door for a weatherproof seal. Stainless steel hardware.

Optical System

Made for high mounting heights ranging from 18' to 25'. Two piece pinged aluminum reflector.

Electrical System

Provided with a 4KV pulse rated socket. Fixtures are available with up to 400W Metal Halide or 400W High Pressure Sodium light sources. Wall Packs come with an option of Multi-Tap (120V, 208V, 240V, 277V), 480V high power factor ballasts.

Mounting

Built in template for mounting to electrical boxes. Threaded 1/2" NPT knockouts provided on the side and rear of fixture.

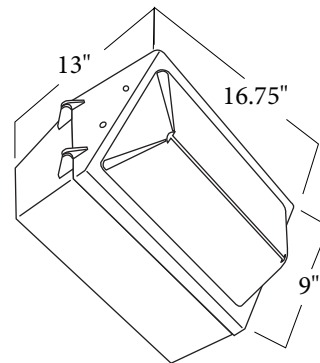
Finish

A Super Durable Polyester powder coat finish is electrostatically applied. Standard colors available: Black, Bronze, White, OD Green, US Green. Custom colors available upon request.

LWP SERIES LARGE WALL PACK



Dimensions



Est Shipping Weight:
27 lbs

Please contact your Techlight Sales Representative for more information.

Ordering Nomenclature

Ex: (Large Wall Pack 400W Pulse Start Metal Halide, Multi-Tap, Bronze = LWPB4A-PS-BZ)

LWP					
SERIES LWP	LIGHT SOURCE B1 = 250W HPS B2 = 250W MH B3 = 400W HPS B4 = 400W MH B5 = 350W PSMH B6 = 320W PSMH	VOLTAGE A = Multi-Tap B = 480V	PULSE-START PS = Pulse-Start	FINISH BK = BLACK BZ = BRONZE GR = OD GREEN WH = WHITE SP = SPECIAL	