



Catalog Number	
Project	Type

### FEATURES & SPECIFICATIONS

**APPLICATION** — The LWWD Series Linear LED Wall Wash is designed for illuminating architectural surfaces and commercial signage. Areas with limited accessibility due to fixture location or where heavy pedestrian or vehicle traffic makes maintenance difficult are ideal applications. The low-profile design keeps the fixture placement discrete for both ground and wall mounted applications.

**FEATURES** — The heavy-duty housing is constructed of extruded aluminum with die cast aluminum connectors. A linear diffuser provides even light coverage and precise beam angles. The LED strips and optics are protected by a low iron tempered glass (3mm) lens. Complete unit is provided with IP67 integrated driver.

**FINISH** — A Super Durable Polyester powder coat finish is electrostatically applied in our state-of-the-art paint facility. Standard colors available: Black, Bronze, US Green, White. Custom colors available upon request.

**MOUNTING** — Fixture is provided with 1/2 -14 NPS Thread aluminum stem or arm at each mounting point and powder coat finished to match. May be mounted for use as an up light or down light.

**ELECTRICAL SYSTEM** — Long life LED's and high efficiency drivers work together to provide superior performance in a safe and efficient package. L95 at 10K hours L70 ≥ 50K hours. LED's available in 3000K , 4000K and 5000K with a CRI >80. Electronic drivers are integrated into the fixture. 120-277V drivers. 10kV surge protection provided. Power factor >0.9, 0-10V dimming available, order DLP.

# LWWD SERIES

## Linear LED Wall Wash - Integrated Driver



SERIES	LENGTH HEIGHT & WIDTH
<b>LWWD</b>	3.2" x 2.5" x 47.5" (4' Linear Section)

**LISTINGS** — ETL listed for wet locations. Classified according to the new 1598C safety standard. Complies with UL8750. Meets US and Canadian safety standards. RoHS compliant.

**WARRANTY** — The complete luminaire is covered by a 5-year limited warranty.

### ORDERING INFORMATION

Choose the bold face options for the appropriate luminaire configuration for your application and enter on the line above each fixture attribute. Accessories may be factory installed, depending on the particular accessory chosen, but still be ordered as a separate line item.

EXAMPLE:

**LWWD 08 40 1L LWG 1 WH 6**

SERIES	LENGTH <sup>1</sup>	COLOR TEMP	NOMINAL LUMENS LM/FT	OPTICS	VOLTAGE	FINISH	MOUNTING 1/2 -14 NPS THREADS	OPTIONS
<b>LWWD</b> = LED Wall Wash Luminaire Integrated Driver	<b>02</b> = 2' <b>04</b> = 4' For Custom Length in 2' and 4' increments Example: <b>08</b> = 8' (4' + 4') <b>12</b> = 12' (4' + 4' + 4') <b>16</b> = 16' (4' + 4' + 4' + 4')	<b>30</b> = Warm White (3000K) <b>40</b> = Neutral White (4000K) <b>50</b> = Cool White (5000K)	<b>1L</b> = 1,000 Lumens <b>25L</b> = 2,500 Lumens <small>(Contact Factory for other output options.)</small>	<b>LWG</b> = Linear Wall Grazer	<b>1</b> = Multi-Volt <sup>2</sup>	<b>BZ</b> = Bronze <b>BK</b> = Black <b>AA</b> = Anodized Aluminum <b>WH</b> = White <b>SP</b> = Special <sup>3</sup>	<b>STEM LENGTH<sup>4</sup></b> <b>0</b> = No Stems <b>6</b> = 6" Stems <b>12</b> = 12" Stems <b>18</b> = 18" Stems <b>24</b> = 24" Stems <b>GRADE MOUNT</b> <b>GM</b> = Adjustable Arm <small>(See Images Below)</small>	<b>DLP</b> = Dimming Leads Pulled

#### Accessories: (Order as separate line items)

**Wall Mount<sup>5</sup> - PN#: 102527XX**

**\*For Stem Mount Only\***  
(XX - Paint Finish)



**Threaded Wall Mount<sup>7</sup> - PN#: 102795XX**

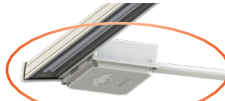
**\*For GM Adjustable Arm Mount Only\***  
(XX - Paint Finish)



1/2 - 14 NPS Threads

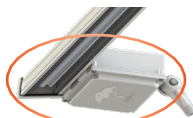
#### Mounting: (Selected in ordering string)

**Stem Mount<sup>6</sup>** - Length selected in order chart.  
(Continuous Runs and pack separately for shipping)



1/2 - 14 NPS Threads

**Grade Mount - (GM) Adjustable Arm Mount**  
(Factory installed. Requires 2 per fixture)



1/2 - 14 NPS Threads

#### NOTES

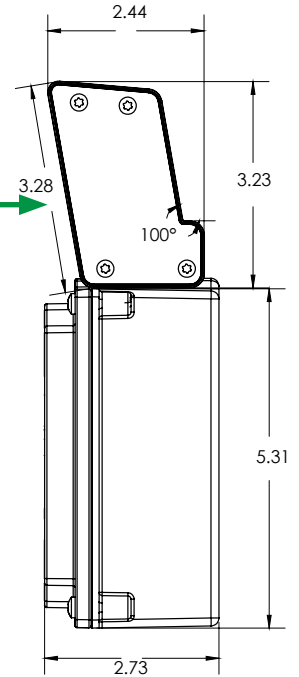
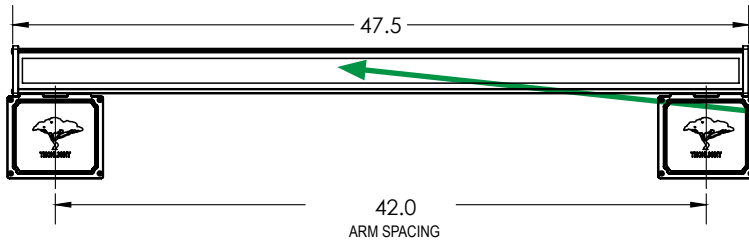
- <sup>1</sup> = Virtually any continuous lengths can be provided in 4' sections. Contact your sales representative for additional info.
- <sup>2</sup> = Multi-Volt is an auto ranging power supply from 100V to 300V input .
- <sup>3</sup> = Custom RAL color matching is available. Contact your sales representative for additional info.
- <sup>4</sup> = Specify stem length, correct quantity of stems provided for length of run specified.
- <sup>5</sup> = Wall Mount (**PN# 102527XX**) to be used for Stem Mount Only, XX = Paint Finish.
- <sup>6</sup> = Stem Mount (**PN# PTPM(6,12,18 or 24)XX**) if ordering separately, must denote stem length as indicated by numerals & paint finish, XX = Paint Finish.
- <sup>7</sup> = Threaded Wall Mount (**PN# 102795XX**) to be used for GM Adjustable Arm Mount Only, XX = Paint Finish.



## LUMINAIRE WITH INTEGRATED DRIVER DIMENSIONS - INDIVIDUAL

## SIDE VIEW

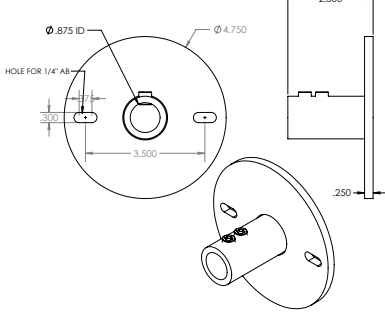
### 4' MODULE



## WALL MOUNT DIMENSIONS

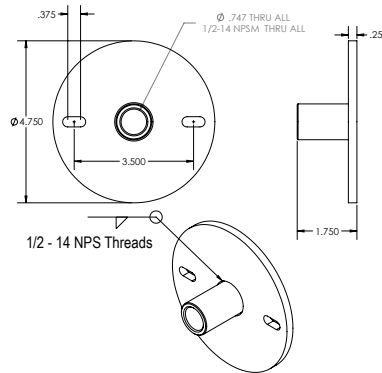
### Wall Mount - PN#: 102527XX

\*For Stem Mount Only\*



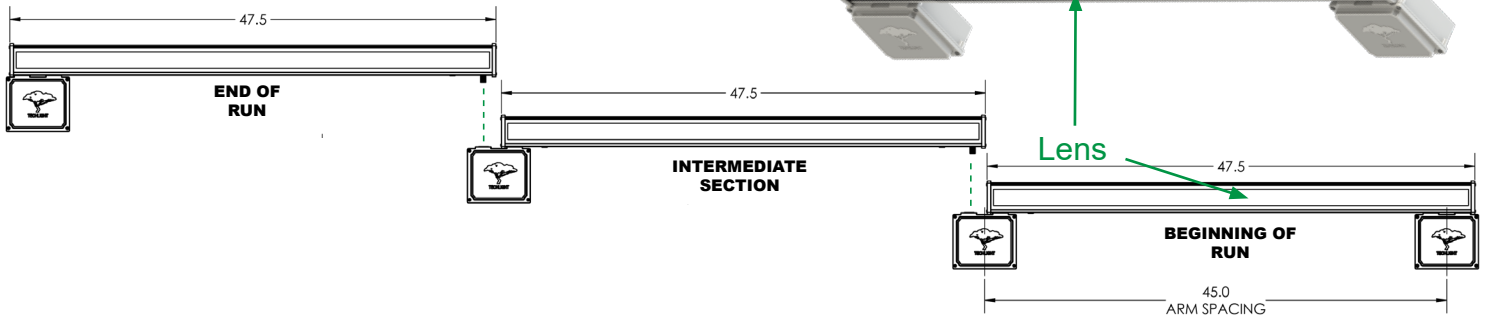
### Threaded Wall Mount - PN#: 102795XX

\*For GM Adjustable Arm Mount Only\*

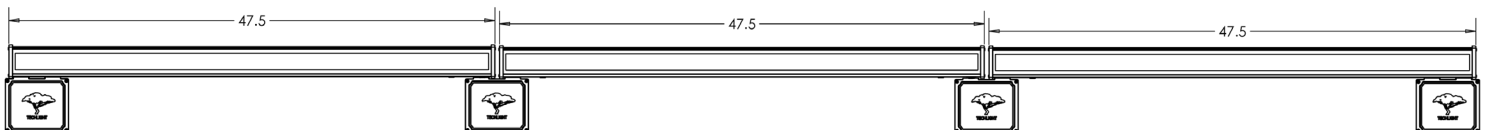


## LUMINAIRE WITH INTEGRATED DRIVER DIMENSIONS - CONTINUOUS RUN

### EXAMPLE: 12' LENGTH LUMINAIRE RUN (4' + 4' + 4')



### A COMPLETED 12' LENGTH LUMINAIRE RUN

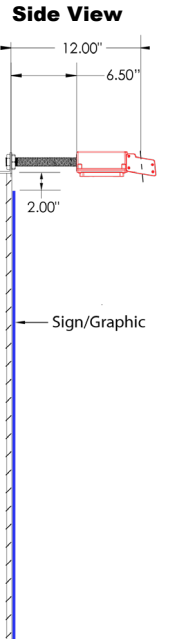
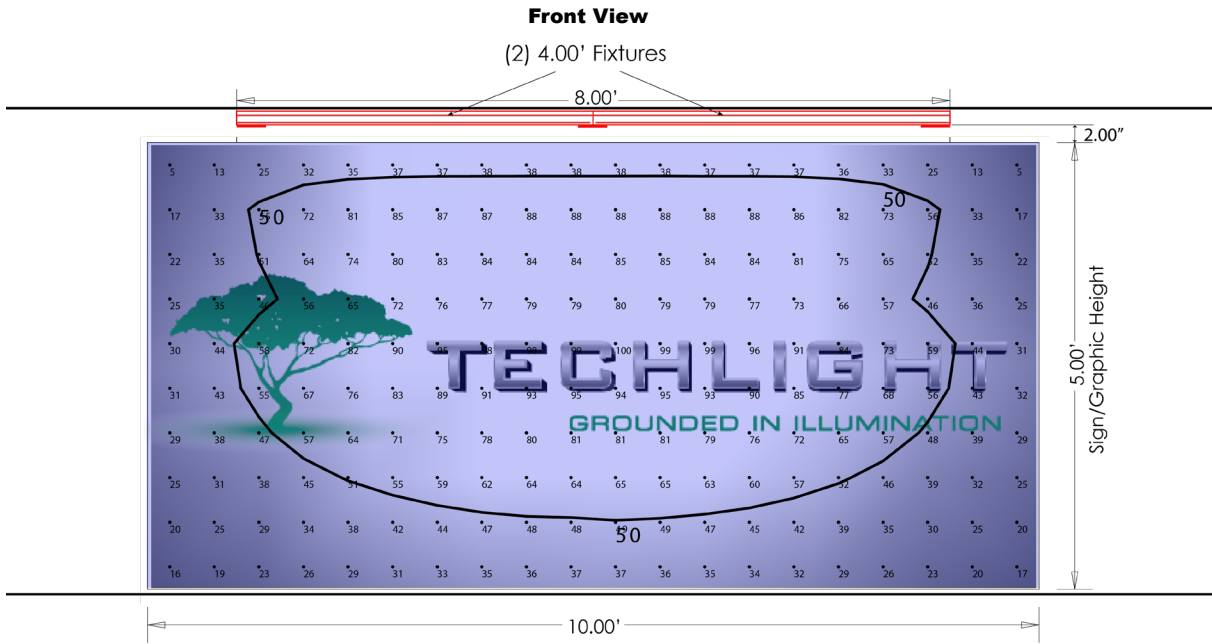


**TECHLIGHT**  
INNOVATION IN ILLUMINATION

# LWWD Linear LED Wall Wash - Integrated Driver

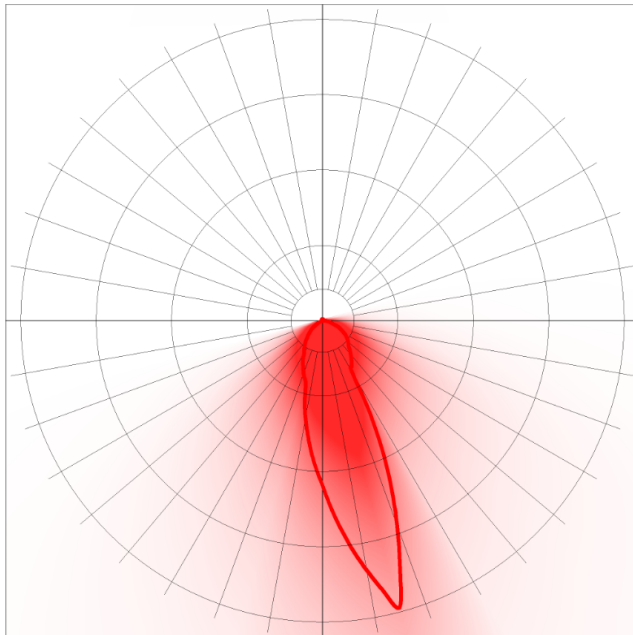
## ILLUMINANCE PLANE'S CALCULATED MEASUREMENT POINTS (foot-candles)

Model number: LWWD-08-40-1L-LWG-1-WH-6



## PHOTOMETRIC CHARACTERISTICS

**NOTE:** Values shown are for a 4' linear section with a 1L nominal lumen output (1,000 lumens per linear foot).



### CHARACTERISTICS

- CIE Type: Direct
- High Lumen Output
- Color Temperature: 5,000 K CRI: 80
- Luminaire Lumens: 4092 (per 4' section)
- Total Luminaire Watts: 29 (per 4' section)
- Ballast Factor: 1.00



**TECHLIGHT**  
INNOVATION IN ILLUMINATION

2707 SATSUMA DR. | DALLAS, TX 75229 | PH: 800.225.0727 | EMAIL: techlight@techlight.com | www.techlight.com

\*\*All dimensions and specifications are subject to change without notice.\*\*

REV: 20221010-13