



Catalog Number	
Project	Type

Features & Specifications

Application

Retrofit Kits are a great way to modify an existing fixture to save time and energy.

Features

PBRK Series is a complete reflector system, including socket plates for lamp relocation to provide maximum efficiency. Used to delamp from 4 lamps to 1, 2 or 3 T8 or T5 lamps in grid ceiling 2'x2' or 2'x4' troffers or parabolics. This retrofit system allows for removal and discarding of the ballast cover, relocation of lamps, optimizing light output and reducing energy consumption to comply with utility rebate requirements.

Electrical System

Reflector kit is U.L. classified as a ballast cover.

Finish

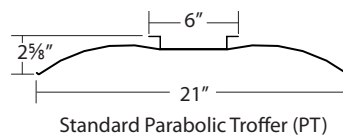
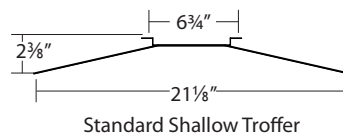
All reflective surfaces are finished with white polyester powder finish.

PBRK SERIES

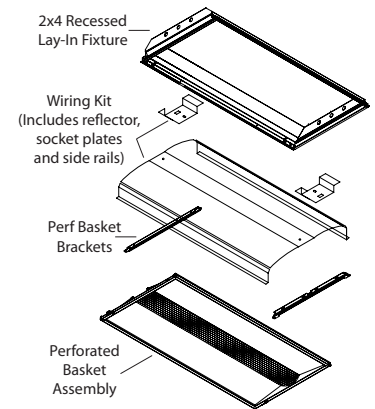
PERFORATED BASKET RETROFIT



DIMENSIONS



ASSEMBLY DETAIL



Please contact your Horizon Sales Representative for more information.

*All Dimensions subject to change without notice

Ordering Nomenclature

Ex: (2X4, 2 Lamp Retrofit Kit, 32W T8, Standard Troffer Kit, Multi-Volt, NPF Ballast = PBRK24232D)

--	--	--	--	--	--	--

SERIES	NUMBER OF LAMPS	WATTAGE	REFLECTOR	VOLTAGE	BALLAST FACTOR	OPTIONS
PBRK22 (2x2)	1	14 - 14W T5, 22"	BLANK - Standard Shallow Troffer	D - Multi-Volt	BLANK - Normal	P - Program Start Ballast
PBRK24 (2x4)	2	17 - 17W T8, 24"	PT - Standard Parabolic Troffer	*Multi-Volt is 120/277V	H - High	
	3	28T8 - 28W T8, 48"			L - Low	
		28T5 - 28W T5, 46"				
		32 - 32W T8, 48"				
		54 - 54W T5HO, 46"				