



Catalog Number	
Project	Type

Features & Specifications

Application

The puff wrap features a soft floating profile that is in tune with today's residential and commercial environments. Adds just the right touch to the kitchen, den, living room, bathroom, office or recreation room.

Features

All fixture parts snap together for ease of installation and maintenance. Lift and shift frame assembly for ease of service and re-lamping. Soft rounded appearance for full illumination. Complies with federal energy efficiency standards. The new white clips virtually eliminate shadows as compared to metal clips and promotes safe handling.

Construction

Housing constructed of die-formed heavy gauge steel. Utilizes Indestruct-a-puff lens technology which eliminates breakage that can occur when using an acrylic lens. Indestruct-a-puff material is naturally resistant to color shifts when exposed to the UV light that is typical of fluorescent lamps.

Electrical System

ETL listed. Suitable for damp locations. Damp location emergency pack must be specified separately. Ballasts are solid-state electronic. Ballasts and lamp holders are replaceable without removing from ceiling. Discrete voltage must be specified for emergency pack options when wired with flex.

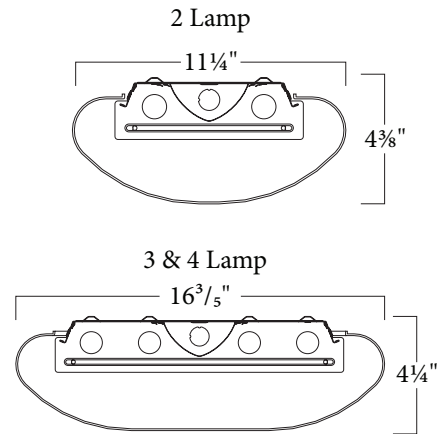
Finish

All reflective surfaces are finished with a high reflectance, lighting fixture white polyester powder.

P SERIES PUFF CLOUD



DIMENSIONS



Please contact your Horizon Sales Representative for more information. All dimensions subject to change without notice.

Ordering Nomenclature

Ex: (Puff Cloud, 4 Lamps, 32W T8, 4', Multi-Volt = P432D)

--	--	--	--	--	--

SERIES	NUMBER OF LAMPS	WATTAGE	VOLTAGE	BALLAST FACTOR	OPTIONS
P	2	14 - 14W T5, 22"	D - Multi-Volt	BLANK - Normal	10RS - ≤10% THD, Rapid Start
	3	17 - 17W T8, 24"	1 - 120V	H - High	P - Program Start
	4	28T5 - 28W T5, 46"	2 - 277V	L - Low	20 - ≤20% THD
		28T8 - 28W T8, 48"	3 - 347V		EB5 - 500 Lumen Emergency Ballast
		32 - 32W T8, 48"	4 - 480V		EB7 - 700 Lumen Emergency Ballast
		48HO - 60W 800mA, 48"			EB14 - 1400 Lumen Emergency Ballast
		54 - 54W T5HO, 46"	*Multi-Volt is 120/277V		EB30 - 3000 Lumen Emergency Ballast
					FBF - Fast-Blow Fuse
					SBF - Slow-Blow Fuse
					AF6 - 6', 3/8" dia., Armored Flex Cable
					SJ6 - 6', 3/8" dia., 16/3 SJ Cord
					SJ10 - 10', 3/8" dia., 16/3 SJ Cord
					PWO - Palletized without Cartons
					CD - Continuous Dimming (T8)
					SD - Step Dimming (T8)
					CD5 - Continuous Dimming (T5)
					SD5 - Step Dimming (T5)
					WOC - 120/277 Volt Sensor
					WOC1 - 347/480 Volt Sensor
					IO - Inboard/Outboard (2 lamp-2 lamp)
					IO2 - Inboard/Outboard (1 lamp-3 lamp)

Energy Saving Tip!
Our Occupancy Sensor option instantly turns lights on and off