



Catalog Number	
Project	Type

Features & Specifications

Construction

Constructed with a die cast aluminum housing and a borosilicate glass lens assembly.

Optical System

Made for general illumination at a mounting height ranging from 6' to 12', it is the perfect replacement for inefficient incandescent fixtures.

Electrical System

Available with up to 100W Metal Halide or 150W High Pressure Sodiumlight sources.

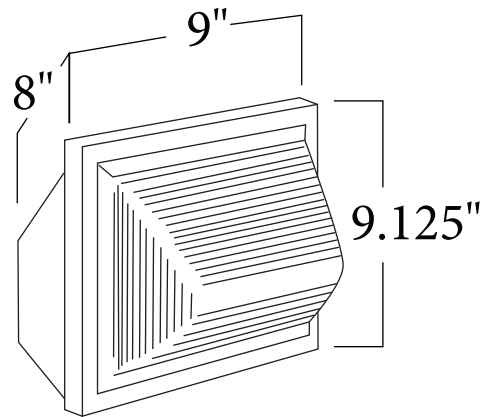
Mounting

Built in template for mounting to electrical boxes. Threaded knockouts provided on back and underside of fixture.

Finish

A Super Durable Polyester powder coat finish is electrostatically applied. Standard colors available: Black, Bronze, White, OD Green, US Green. Custom colors available upon request.

SWP SERIES SMALL WALL PACK



Est Shipping Weight: 5 lbs

Please contact your Techlight Sales Representative for more information.

Ordering Nomenclature

Ex: (Small Wall Pack 50W Pulse Start Metal Halide, Multi-Tap, Bronze = SWPB5A-BZ)

SWP				
SERIES SWP	LIGHT SOURCE B1 = 35W HPS B2 = 50W HPS B3 = 70W HPS B4 = 100W HPS B5 = 50W PSMH B7 = 70W PSMH B8 = 100W PSMH B9 = 150W HPS	VOLTAGE A = 120V NPF <small>(All MH models are provided with multi-tap ballasts.)</small>	FINISH BK = BLACK BZ = BRONZE GR = OD GREEN WH = WHITE SP = SPECIAL	