



Copper Path Light

Catalog Number	
Project	Type

FEATURES & SPECIFICATIONS

APPLICATION — The TL Copper Path Light Series showcases a simple contemporary design with the sturdy construction of copper.

OPTICAL SYSTEM — TL frosted glass lens encompasses the light source to create an evenly diffused symmetrical light pattern. The TLSCPL comes with a 6.7" round cutoff flare top to keep light directed downwards. The TLPLKMC comes with a small cap top and directional side shield. Lamp must be ordered separately.

MOUNTING — Select 12" or 18" tall, ½" NPT stem and mounting stake. Provided with a 3' long 18 ga. whip and low voltage connector.

FINISH — The fixture is solid copper and will patina naturally over time.



ORDERING INFORMATION

Choose the bold face options for the appropriate luminaire configuration for your application and enter on the line above each fixture attribute. Accessories may be factory installed, depending on the particular accessory chosen, but still be ordered as a separate line item.

EXAMPLE:
TL PLKMC 18

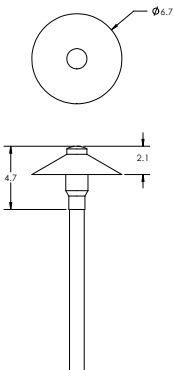
TL				
SERIES	TOP	LENGTH	VOLTAGE	WATTAGE
	SCPL = 6.5" Flare Top PLKMC = 2" Directional Top	18 = 18" Stem 12 = 12" Stem	Blank = 12V	Blank = 20W



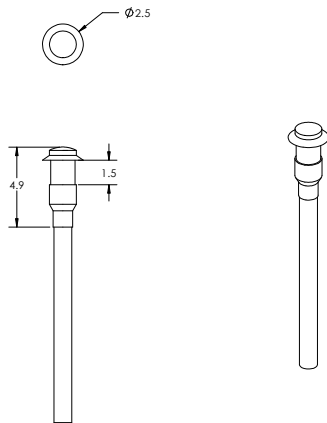
FIXTURE DIMENSIONS

ACCESSORIES (Order as separate line items)

TLSCPL



TLPLKMC



(See components section on the website for more transformer options)

- LSSEB01** 150W Transformer
- LMSEB02** 300W Transformer



- PWW122LV** 12 Gauge Low Voltage Cable
- PWW102LV** 10 Gauge Low Voltage Cable



- TLHB800RCH** Digital Timer



- 103137** LMP Led 4W BA155 12V 30K 90 CRI Clear



- SMSB** 12" x 1" Mounting Stake (Brass)
- MMSB** 18" x 1" Mounting Stake (Brass)
- LMSB** 20" x 2.5" Mounting Stake (Brass)



NOTE

Fixture less lamp. Order LED Lamp separately.