



Genesis Gen2 Large LED Burial Light

Catalog Number	
Project	Type

FEATURES & SPECIFICATIONS

APPLICATION —The Genesis Gen2 line of LED Landscape Bullets are the most versatile LED fixtures on the market today. Various beam spreads and wattages allow for a customized finish to any property. The high end residential grade system was designed for 120V operation residential applications.

CONSTRUCTION — The die cast aluminum heat sink has 24 heat dissipating fins to maintain a cool operating LED for maximum life. The fins are independently supported to allow for unobstructed airflow. A cast brass junction box is provided for incoming power.

FINISH — A cathodic epoxy electrocoat primer or E-Coat is applied to all die cast aluminum components. E-coating provides the ultimate in corrosion and chemical resistance, providing superior salt spray, humidity and cyclic corrosion endurance. After the E-Coat is applied a super durable polyester powder coat finish is electrostatically applied in our state of the art paint facility.

OPTICAL SYSTEM — Techlight's proprietary OpticapSystem™ utilizes interchangeable optical lenses & reflectors to increase fixture lumen output efficiency. The system is provided with a high performance convex lenticular prismatic flood or a plano-convex spot optical lens. The flood & spot optical lenses are molded from low iron tempered glass. A 96% reflective UV stabilized injection molded reflector is included with each system. A variety of glass color filters are available to meet the designers specific color control needs. The aluminum or brass grill rotates 360° for glare control.

ELECTRICAL SYSTEM — NOTE: A Techlight Surge Protector must be incorporated into the LED system at the beginning of each circuit as a minimum. Failure to do so will void the system warranty. Fixture operates at 120V input voltage. Nominal open circuit current .25 to .42 amps. A 30 watt LED source provides approximately 2129 to 2353 Lumens of light. System is compatible with the use of a rotary TRIAC Dimmer. Provided with a 30' 16/3 STW cord (custom lengths available upon request).



SERIES	HOUSING HEIGHT	DIAMETER
WLAR	17.4"	9.7"

MOUNTING — Fixtures are designed to be in-ground well lights and should be installed according to the installation instructions made available by Techlight. Proper drainage and substrate must be provided for water to flow freely through the well sleeve.

LISTINGS — ETL listed for wet locations (IP67). Meets US and Canadian safety standards. -40°C to 40°C ambient operation.

WARRANTY — Techlight warrants the LED lighting Product(s) to be free from defects in material and workmanship for a period of three years for LED Light Engines and LED Power Components, from the date of shipment. Ground mounted products that are provided standard with our proprietary E-Coat pretreatment prior to the application of a powdercoat finish will carry a full 10 year finish warranty. Proper maintenance is required for full finish warranty.

ORDERING INFORMATION

Choose the bold face options for the appropriate luminaire configuration for your application and enter on the line above each fixture attribute. Accessories may be factory installed, depending on the particular accessory chosen, but still be ordered as a separate line item.

EXAMPLE:

WLAR FL 30 NW 120V S29 C30

WLAR						
SERIES	DISTRIBUTION	WATTAGE	COLOR TEMP	VOLTAGE	GRILL	CORD
	FL = Flood (72°) SP = Spot (20°)	30 = 30W	CW = Cool White NW = Neutral White	120V = 120V	S29 = Aluminum Grill (Black) S30 = Brass Grill (Brass)	C30 = 30' Cord (Standard) SP1 = Custom Length

ACCESSORIES (Order as separate line items)

100180²	10kV Surge Protector
LEDLFG120LENS	Green Glass Lens Filter (each)
LEDLB120LENS	Blue Glass Lens Filter (each)
TLHB800RCH	Digital Timer

NOTES

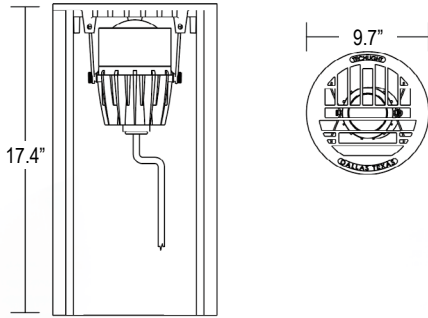
- Contact factory for custom length cords.
- A Techlight Surge Protector must be incorporated into the LED system at the beginning of each circuit as a minimum. Failure to do so will void the system warranty.



WLAR Genesis Gen2 Large LED Burial Light

AVAILABLE FIXTURE DIMENSIONS

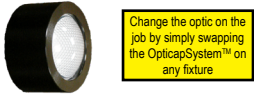
Dimensions shown are for fixture bodies only. Mounting options must be ordered separately.



ADDITIONAL FIXTURE ACCESSORIES

GL2CAPCVXFLDREFL

72° Flood OpticapSystem™
Field Installable Flood Optic



Change the optic on the job by simply swapping the OpticapSystem™ on any fixture

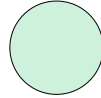
100180²

10kV Surge Protector



LEDLFG120LENS

Green Glass Lens Filter (each)



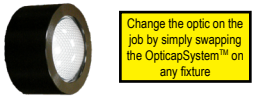
PSJ183

18 Gauge Lead Wire (Color Coded)



GL2CAPSPOPTREFL

20° Spot OpticapSystem™
Field Installable Spot Optic



Change the optic on the job by simply swapping the OpticapSystem™ on any fixture

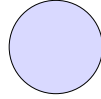
TLHB800RCH

Digital Timer



LEDLB120LENS

Blue Glass Lens Filter (each)



WARNING: The driver assembly is wired and programmed specific to the unit configuration ordered. Any attempt to modify this unit will void the warranty.

PERFORMANCE

Fixture	Color Temp	30W Lumen Output	
		FL	SP
WLAR	CW (5900K)	2280	2353
	NW (4000K)	2129	2196

*Delivered lumens shown do not include light loss due to the fixture grill.

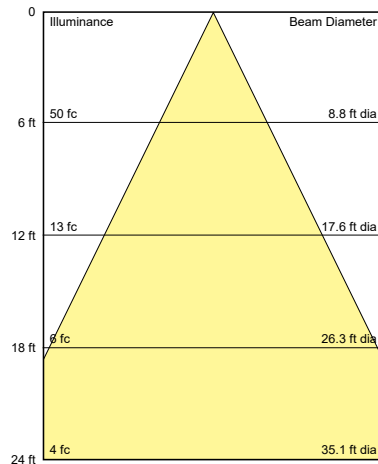
ILLUMINANCE CONE DIAGRAM

WLARFL30CW120

Flood Optic

30W WLAR LED

Color Temperature: 5,900 K



ILLUMINANCE CONE DIAGRAM

WLARSP30CW120

Spot Optic

30W WLAR LED

Color Temperature: 5,900 K

