



Catalog Number	
Project	Type

## Features & Specifications

### Application

Wall/Vanity fixtures are useful for illuminating corridors, stairwells, lavatories, dressing rooms, patient rooms also for utility/area and task lighting.

### Features

Optimized for T8 or T5 lamp performance. To direct illumination up or down, fixture is equipped with a matching metal front. Baffles and dividers are available for up, down, and/or front light. Ends have tapped holes to accommodate tamper-proof or regular screws.

### Construction

Housing constructed of structurally embossed, heavy gauge, cold rolled steel with clear ribbed acrylic lens.

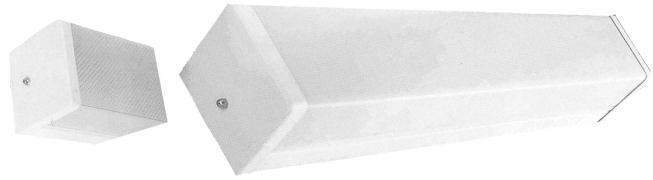
### Electrical System

ETL listed. Suitable for damp locations. Damp location emergency pack must be specified separately. Ballasts are solid-state electronic. Ballasts and lamp holders are replaceable without removing from wall.

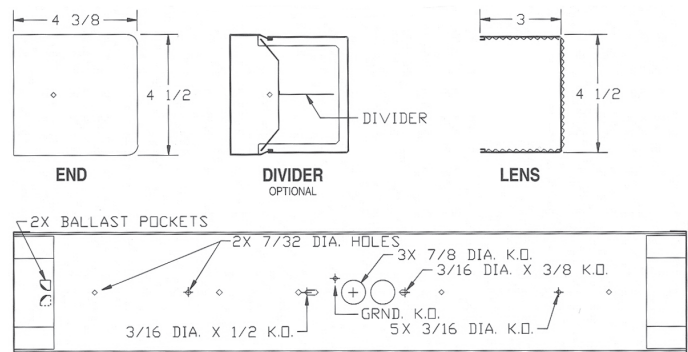
### Finish

All reflective surfaces are finished with a high reflectance, lighting fixture white polyester powder.

## WV213 SERIES WALL / VANITY 213



### DIMENSIONS



Please contact your Horizon Sales Representative for more information.  
All dimensions subject to change without notice.

### Ordering Nomenclature

Ex: (Wall Vanity 213, 1 Lamp, F32T8, 48", Smooth White Diffuser, White finish, Multi-Volt = WV21313248SWWD)

--	--	--	--	--	--	--	--

SERIES	NUMBER OF LAMPS	WATTAGE	LENGTH	DIFFUSER	FINISH	VOLTAGE	BALLAST FACTOR	OPTIONS
WV213	1 2	15 - 15W T8 (18") 17 - 17W T8 (24") 25 - 25W T8 (36") 32 - 32W T8 (48") 28T8 - 28W T8 (48") *CFL - SPECIAL ORDER	18 - 18" 24 - 24" 36 - 36" 48 - 48"	CP - Clear Prismatic SW - Smooth White	W - White WL - Walnut C - Chrome O - Oak B - Brass	D - Multi-Volt 1 - 120V 2 - 277V 3 - 347V 4 - 480V  *Multi-Volt is 120/277V	BLANK - Normal H - High L - Low	10RS - ≤10% THD, Rapid Start P - Program Start 20 - ≤20% THD EB5 - 500 Lumen Emergency Ballast EB7 - 700 Lumen Emergency Ballast EB14 - 1400 Lumen Emergency Ballast EB30 - 3000 Lumen Emergency Ballast DO - Downlight Only Insert UO - Uplight Only Insert UPD - Up and Downlight Insert FL - Front Light Only Insert FBF - Fast-Blow Fuse SBF - Slow-Blow Fuse PC - Pull Chain PC3 - 3 Step Pull Chain RS - Rocker Switch CO - Convenience Outlet CO2 - GFCI Convenience Outlet TPS - Tamper Proof Screws TPDB - Tamper Proof Drill Bit