



Catalog Number	
Project	Type

FEATURES & SPECIFICATIONS

DESCRIPTION — The RC6R is a 6" LED, Non-IC Commercial Flat Frame-in Kit and is available with multiple Trim styles. Designed for use in non-insulated ceilings, Insulation material must be kept a minimum of 3" from fixture. Available with a 14W, 23W, 30W or 45W high efficacy LED engine and universal, dimmable drivers. The special optical diffuser produces high lumen transmission and even illumination. Suitable for Wet Locations.

MOUNTING FRAME — Galvanized steel construction. Housing adjusts for ceilings up to 1-1/4" thick.

LED MODULE & TRIM — Painted, extruded aluminum heat sink designed to facilitate efficient heat dissipation for superior thermal management and reliability. LED engine includes LED, heat sink and lens assembly. Heavy gauge aluminum reflector anodized in clear haze or white paint finishes. Multiple trim styles and finishes are available.

LED DRIVER — Universal, 120~277V input, high efficacy drivers with dimming capability by a Triac 120V low voltage electronic dimmer switch. Contact factory for 0-10V dimming availability. Drivers feature power factor > .90, THD < 20% with integral thermal protection to sense over temperature or electrical issues. Driver mounts externally to the module to allow future replacement or upgrading if desired.

BAR HANGERS — 24" Bar Hangers provide stability and support on joists and T-Bar Grid ceilings. Housing can be positioned at any point within 24" joist spacing. Score lines allow easy "bend & snap-off" shortening for 12" joist spacing.

JUNCTION BOX — Listed for through branch circuit wiring. (Max.8 No 12 AWG 90°C branch circuit conductors: 4 in, 4 out). (5) 1/2" knockouts with pry-out slots and (4) knockouts with Romex cable clamps. Ground wire provided on J-box.

OPTIONS — Emergency battery back-up : Available in mounted to fixture or remote, adjacent to luminaire (consult with factory for space requirements).

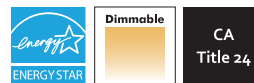
LIMITED WARRANTY — LED Module: 5 years/50K hours. Product/Driver: 3 years

LISTING — cETLus Wet Location. ENERGY STAR. California Title 24

ORDERING INFORMATION

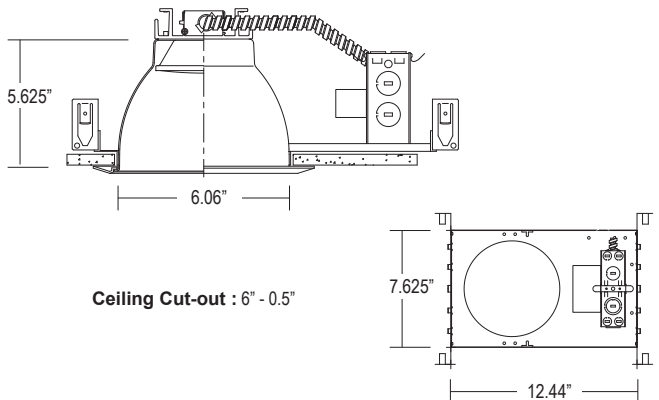
Choose the bold face options for the appropriate luminaire configuration for your application and enter on the line above each fixture attribute. Accessories may be factory installed, depending on the particular accessory chosen, but still be ordered as a separate line item.

Series	Housing Height	Length & Width	Ceiling Cut-out
RC6R	5.625"	7.625" x 12.44"	6" - 0.5"



120V-277VAC LED 6", Non-IC, Commercial Flat Frame-in Kit Down Light with interchangeable Reflector Trims

RC6R



Example: **RC6R 14 35 1**

TK RC6R 01 HC WH ** Consult factory for other Color Temperatures and Finishes. Trim Kit ordered separately.

RC6R

Series	Wattage	Color Temp	Voltage
RC6R	14 14W 23 23W 30 30W 45 45W	35 3500K 40 4000K	1 Multi-Volt ¹

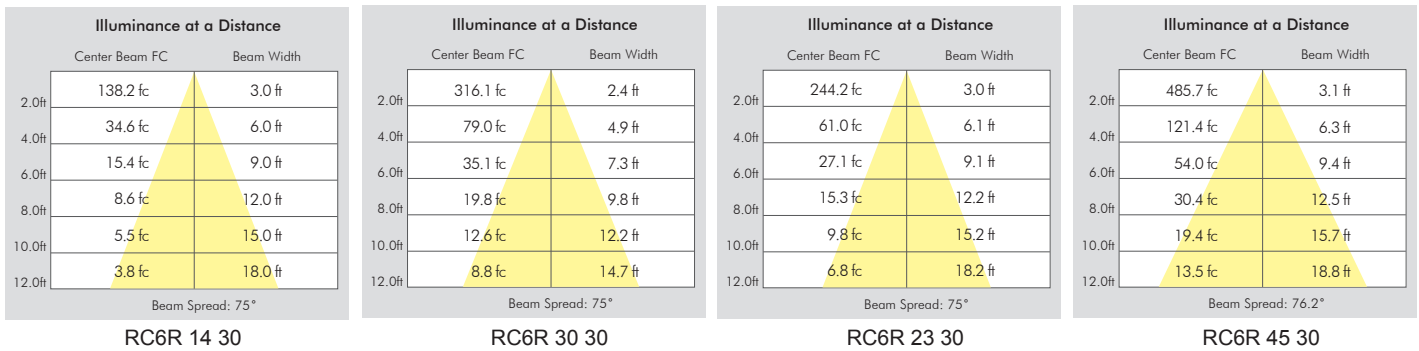
Accessories (Order as separate line items)

TK RC6R 01 HC WH Specular Open Reflector
TK RC6R 02 HC WH Wall Wash w / Reflector Plate

NOTES
 1 Multi-Volt is 120/277V.

RC6R 6" LED Commercial Flat Frame-in Kit

PHOTOMETRICS



SPECIFICATIONS

SPECIFICATION				
Input Voltage	120-277VAC			
Wattage (+/-5%)	14W	23W	30W	45W
Lumen (+/-5%)	950	1,790	2,235	3,220
Efficacy (LPW)	67.9	77.8	74.5	71.5
Beam Angle	75°	75.5°	77°	76.2°
CRI (Typical)	80			
CCT (Color +/-5%)	3500K and 4000K			
Dimming	Triac (Standard), 0-10V			
LED Module	5 yr/50K hr			
Environment	Wet Location			

◦ Triac Approved Dimmers

- * Lutron: NovaT (Ntelv 300 & 600)
Diva (Dvelv-300P & 303P)
- * Leviton: Acenti: Ate06-1Lw
- * Leviton Trimatron #705W (incandescent)

◦ 0-10V Approved Dimmers

- * Lutron: Nova® 0-10V : NTFTV
Diva® 0-10V : DVTV
- * Leviton: Decora 0-10V : IP710DL

Consult tech. service or factory for additional dimmers

* Provided: Easy-quick connector case (patent pending)

TRIM ACCESSORIES

TK RC6R 01 HC WH
Specular Open Reflector



TK RC6R 02 HC WH
Wall Wash w / Reflector Plate



WARNING: Maintenance performed including the replacement of LED bricks while power is still supplied to the luminaire may result in system failures and will void the warranty.



Techlight, Inc.
2707 Satsuma Drive
Dallas, TX, 75229
Phone: 214-350-0591, 800-225-0727, Fax: 214-350-9137
www.techlight.com