



Catalog Number	
Project	Type

### FEATURES & SPECIFICATIONS

**APPLICATION** — The RTB Series Wood Pole Brackets are designed for use with 8-12" wooden poles to provide one or more 2-3/8" OD tenons for mounting light fixtures that utilize an adjustable slip fitter.

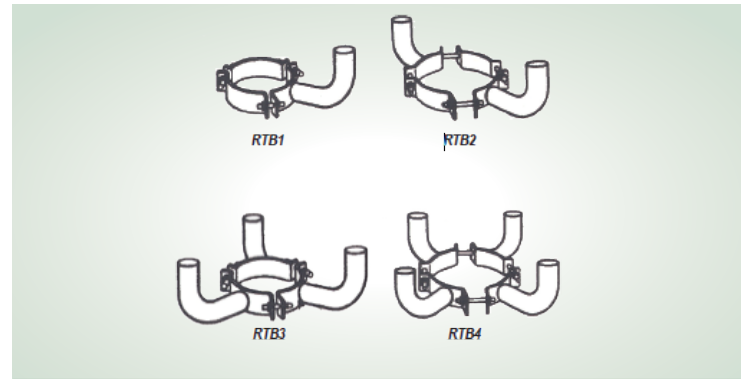
**CONSTRUCTION** — The heavy duty wood pole bracket is constructed of rolled steel. Stainless steel hardware provided.

**FINISH** — A Super Durable Polyester powder coat finish is electrostatically applied in our state of the art paint facility. Standard colors available: Black, Bronze, US Green, White. Custom colors available upon request.

**MOUNTING** — Fixture is provided with 1/2" NPT aluminum stems at each mounting point. May be mounted for use as an up light or down light.

# RTB SERIES

## Wood Pole Bracket



SERIES	LENGTH HEIGHT & WIDTH
<b>RTB</b>	16.18" x 16.01" x Ø2.375"

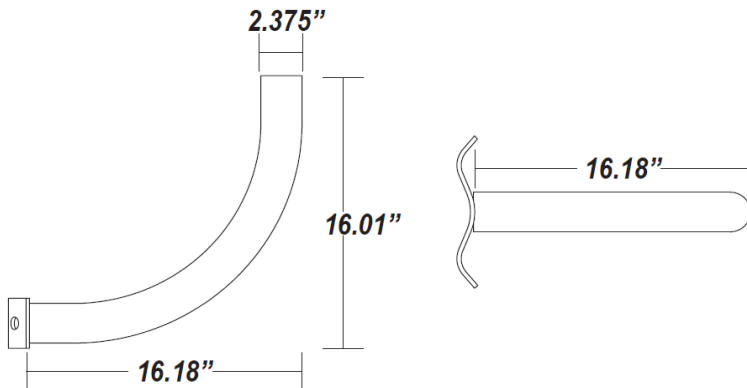
### ORDERING INFORMATION

Choose the bold face options for the appropriate luminaire configuration for your application and enter on the line above each fixture attribute. Accessories may be factory installed, depending on the particular accessory chosen, but still be ordered as a separate line item.

**EXAMPLE:**  
**RTB 2 BZ**

SERIES	LENGTH	FINISH
<b>1</b> = SINGLE TENON BRACKET		<b>BZ</b> = Bronze
<b>2</b> = DUAL TENON BRACKET		<b>BK</b> = Black
<b>3</b> = TRIPLE TENON BRACKET		<b>AA</b> = Anodized Aluminum
<b>4</b> = QUAD TENON BRACKET		<b>WH</b> = White
		<b>SP</b> = Special*

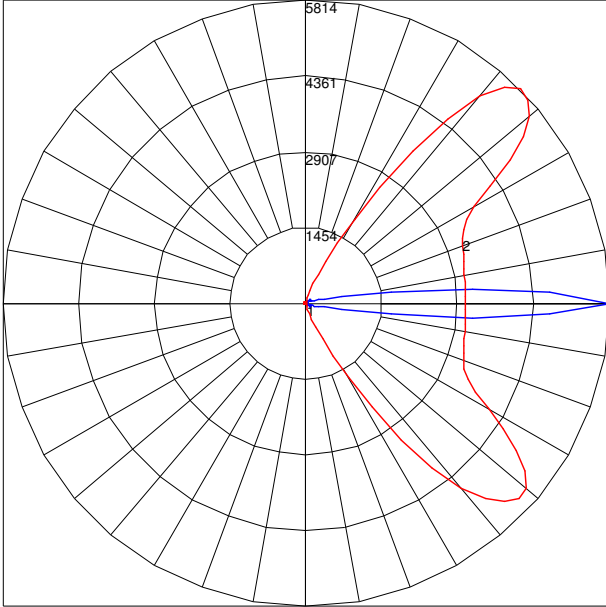
### FIXTURE DIMENSIONS



**PHOTOMETRIC CHARACTERISTICS**

**NOTE:** Values shown are for a 4' linear section. The kit shown in this specification is comprised of 3 x 4' sections for a total fixture length of 12'. Wattage and delivered lumen values for the 12' fixture kit will be 3x the values shown below.

**POLAR GRAPH**

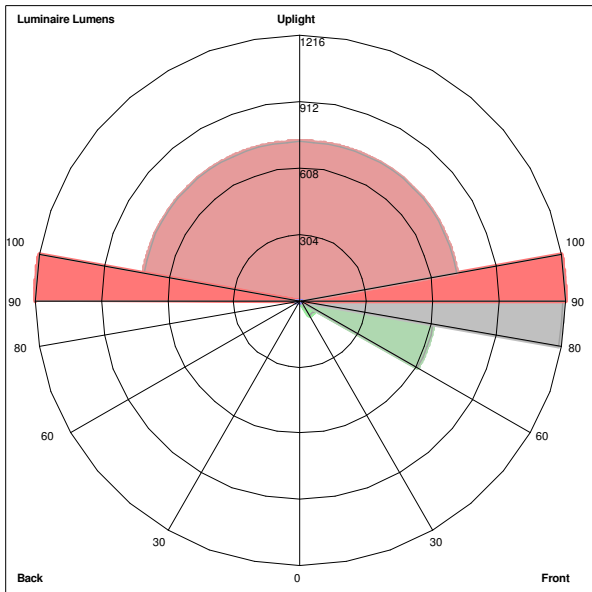


**CHARACTERISTICS**

CIE Type: Direct  
 High Lumen Output  
 Color Temperature: 5,000 K CRI: 80  
 Luminaire Lumens: 3892 (per 4' section)  
 Total Luminaire Watts: 32 (per 4' section)  
 Ballast Factor: 1.00

Maximum Candela = 5814 Located At Horizontal Angle = 45, Vertical Angle = 90  
 # 1 - Vertical Plane Through Horizontal Angles (45 - 225) (Through Max. Cd.)  
 # 2 - Horizontal Cone Through Vertical Angle (90) (Through Max. Cd.)

**LUMINAIRE CLASSIFICATION SYSTEM (LCS) GRAPH**



**IES INDOOR REPORT  
 PHOTOMETRIC FILE  
 NAME: CSL S N90 DL 82  
 POLAR GRAPH**

32W LED Linear Wall Wash  
 Color Temperature: 5,000 K  
 CRI: 80

Luminaire Lumens:  
 Front: Low=4.8, Medium=80.0, High=619.4, Very High= 1205.0  
 Back: Low=0.7, Medium=7.0, High=17.9, Very High=11.0  
 Uplight: Low= 1216.0, High=729.8



**TECHLIGHT**  
 INNOVATION IN ILLUMINATION