



Die Cast Decorative Arm Mount for LSMT for Round and Square Poles

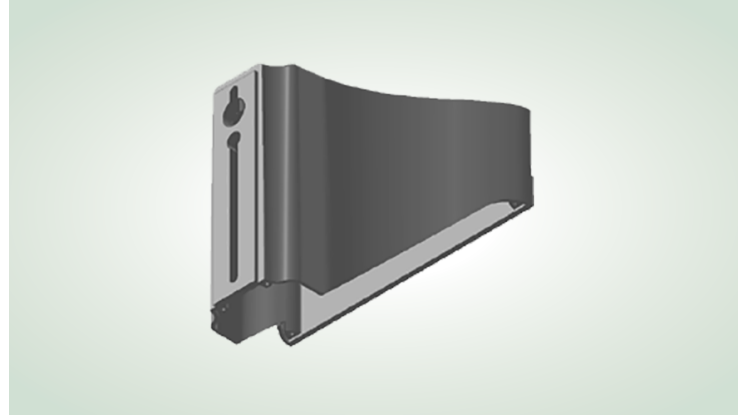
Catalog Number	
Project	Type

FEATURES & SPECIFICATIONS

SPECIFICATIONS — The SDARM is a decorative pole mount for Techlight's LSMT series of fixtures. Available for square pole mounting (SDARM) or with an adapter for round poles (SDARM-R).

CONSTRUCTION — Die-cast aluminum construction provides strength to provide reliable support for the LSMT and longevity. The SDARM extends 8.25" (SDARM) or 8.69" (SDARM-R), providing a decorative look and giving flexibility in the placement of the LSMT luminaire series.

FINISH — Finished to match the LSMT luminaire. A corrosion-resistant epoxy coat layer that forms a uniform and all-encompassing protective barrier is applied to the fixtures prior to electrostatically applying a super durable polyester powder coat finish. Standard colors available: Black, Bronze, US Green, White. Custom colors available upon request.



ORDERING INFORMATION

Choose the bold face options for the appropriate configuration for your application and enter on the line above each fixture attribute.

EXAMPLE:

SDARM-R-BK

SDARM		
ANCHOR BOLTS	POLE TYPE	FINISH
SDARM	(blank) = Square R = Round	BZ = Bronze BK = Black GR = US Green WH = White SP ¹ = Special

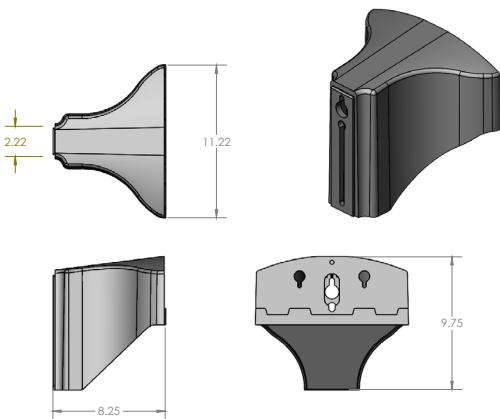
NOTES

1 Custom RAL color matching is available. Contact your Techlight sale representative for additional information.

DIMENSIONS

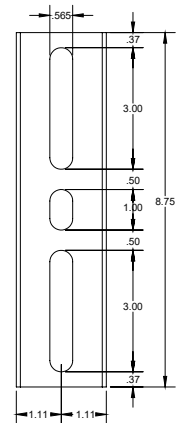
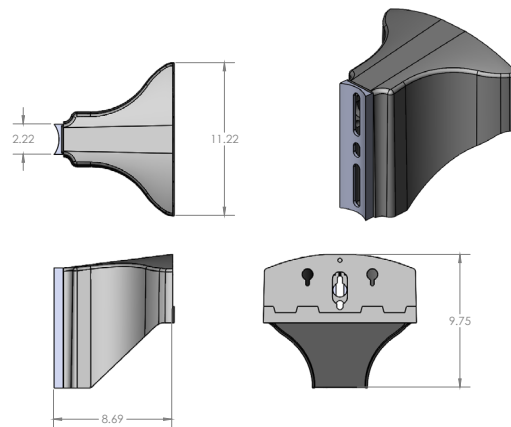
SDARM

Weight: 6.11lbs



SDARM-R

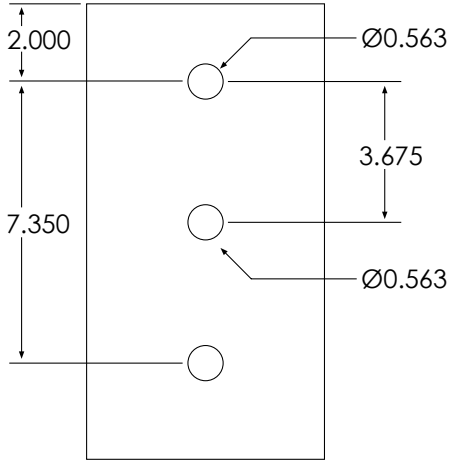
Weight: 6.15lbs



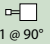
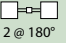
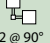

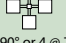
SDARM/SDARM-R Die Cast Decorative Arm Mount for LSMT

POLE DRILLING

Recommended Drill Pattern (VSA)



EPA RATINGS (ft²)

SDARM ARM MOUNT (MOUNT ONLY)	
Arm Configuration	SDARM
 1 @ 90°	0.65
 2 @ 180°	1.30
 2 @ 90°	1.30
 3 @ 90°	1.96
 4 @ 90° or 4 @ 70°	1.30



2707 SATSUMA | DR. DALLAS, TX 75229 | PH: 800.225.0727 | www.techlight.com