



Catalog Number	
Project	Type

FEATURES & SPECIFICATIONS

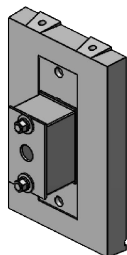
APPLICATION – The VBWM-SSA Series of Straight Arm Mounts with Wall Mount Adaptors were designed to mount Techlight light fixtures that are prepped to accept the SSA-S, SSA-M, and SSA straight arms to practically any wall structure.

CONSTRUCTION – A cast aluminum 2", 8" or 10.75" long horizontal SSA Arm is provided for fixture mounting. Two threaded rods, a nut plate, nuts, and washers. The two-piece heavy duty adaptor is constructed of galvanized steel. Stainless steel hardware provided for connecting the two components. Wall mounting hardware provided by others.

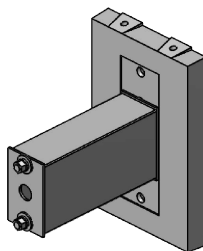
FINISH – A Super Durable Polyester powder coat finish is electrostatically applied in our state of the art paint facility. Standard colors available: Black, Bronze, US Green, White. Custom colors available upon request.

SSA (Straight Arm Mounts) are used in conjunction with the **VBWM** (Wall Mount Adaptor) to attach to practically any wall structure. Below are examples of these in various sizes small, medium and large.

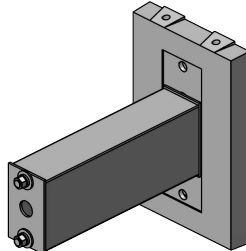
VBWM (+) SSA-S



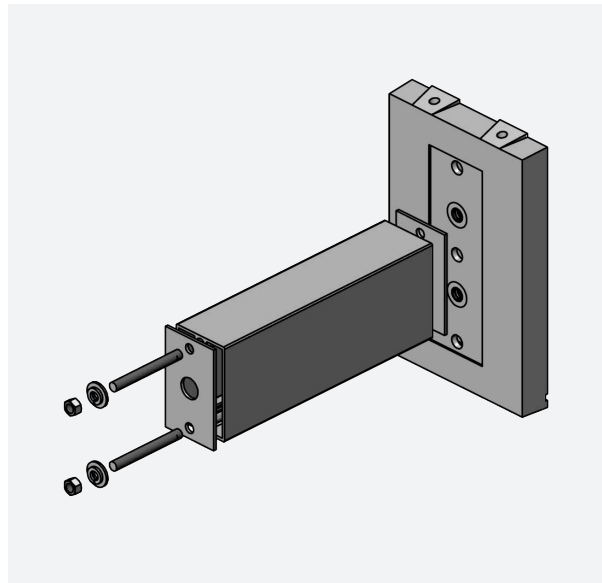
VBWM (+) SSA-M



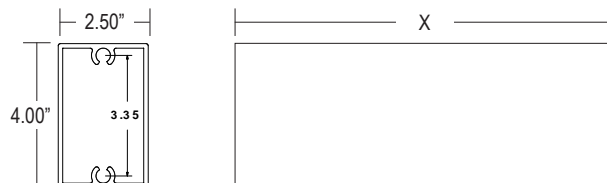
VBWM (+) SSA



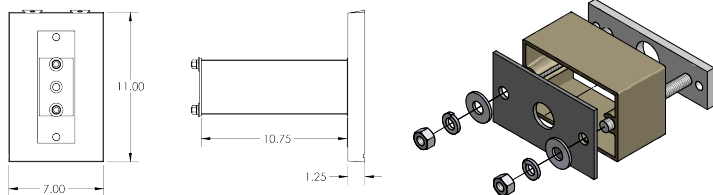
Wall Mount Adaptor with Straight Arm Mounts **VBWM-SSA**



SSA Dimensions



VBWM (+) SSA Dimensions and 4D Graphic



Series	Height	Width	Arm Length (X)
VBWM-SSA-S	11.00"	7.00"	2.00"
VBWM-SSA-M	11.00"	7.00"	8.00"
VBWM-SSA	11.00"	7.00"	10.75"

ORDERING INFORMATION

Choose the bold face options for the appropriate luminaire configuration for your application and enter on the line above each fixture attribute. Accessories may be factory installed, depending on the particular accessory chosen, but still be ordered as a separate line item.

VBWM-SSA		-		Finish	
Series	Pole Size				
VBWM-SSA	S 2" Arm	BK	Black		
	M 8" Arm	BZ	Bronze		
	Blank 10.75" Arm	GR	US Green		
		WH	White		
		SP	Special ¹		

Example: **VBWM-SSA-S-BZ**

VBWM Dimensions

