



Catalog Number	
Project	Type

Features & Specifications

Construction

The housing is made from extruded aluminum. A die cast flat cap is provided standard. ETL listed for wet locations.

Optical System

The fixture features a glass lens that can be field installed as either a down or an up light. Convex, dichroic blue convex or "full cutoff" flat lenses are available. Flood and spot reflectors are available for E17 lamp shapes.

Electrical System

HID models come with multi-tap (120V, 208V, 240V, 277V) high power factor ballasts. Compact Fluorescent models are provided with electronic universal (120V, 277V) ballasts. The ballast tray is accessible through the lens cap on the fixture and features quick connects for ease of installation and maintenance.

Mounting

A gasketed mounting attachment fits directly onto a 4" J-Box or wall. It is provided with a quick mount plate.

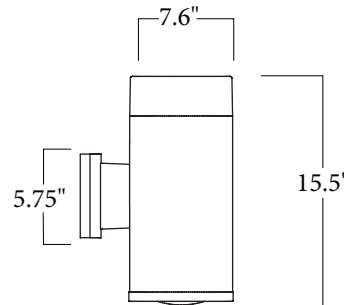
Finish

A Super Durable Polyester powder coat finish is electrostatically applied. Standard colors available: Black, Bronze, White, OD Green, US Green. Custom colors available upon request.

WB SERIES WALL BEACON SCONCE



DIMENSIONS



Est Shipping Weight:
18 lbs

Please contact your Techlight Sales Representative for more information.

Ordering Nomenclature

Ex: (Wall Beacon, Up Light, Spot Reflector, 32W Fluorescent, Bronze = WB-1-2-32-32-2-0)

WB						
-----------	--	--	--	--	--	--

SERIES	ORIENTATION	REFLECTOR	BALLAST	LAMP	FINISH	OPTIONS
WB	1 = Up Light 2 = Down Light	1 = Flood 2 = Spot	32 = 32W FLUOR 120V 42 = 42W FLUOR 120V 50 = 50W PSMH MT 70 = 70W PSMH MT 100 = 100W PSMH MT	32 = 32W FLUOR 42 = 42W FLUOR 50 = 50W PSMH 70 = 70W PSMH 100 = 100W PSMH	1 = Black 2 = Bronze 3 = US Green 4 = White 5 = Special	0 = None 1 = Blue Dichroic Lens